

BBO12



BEZZERA

Dal 1901

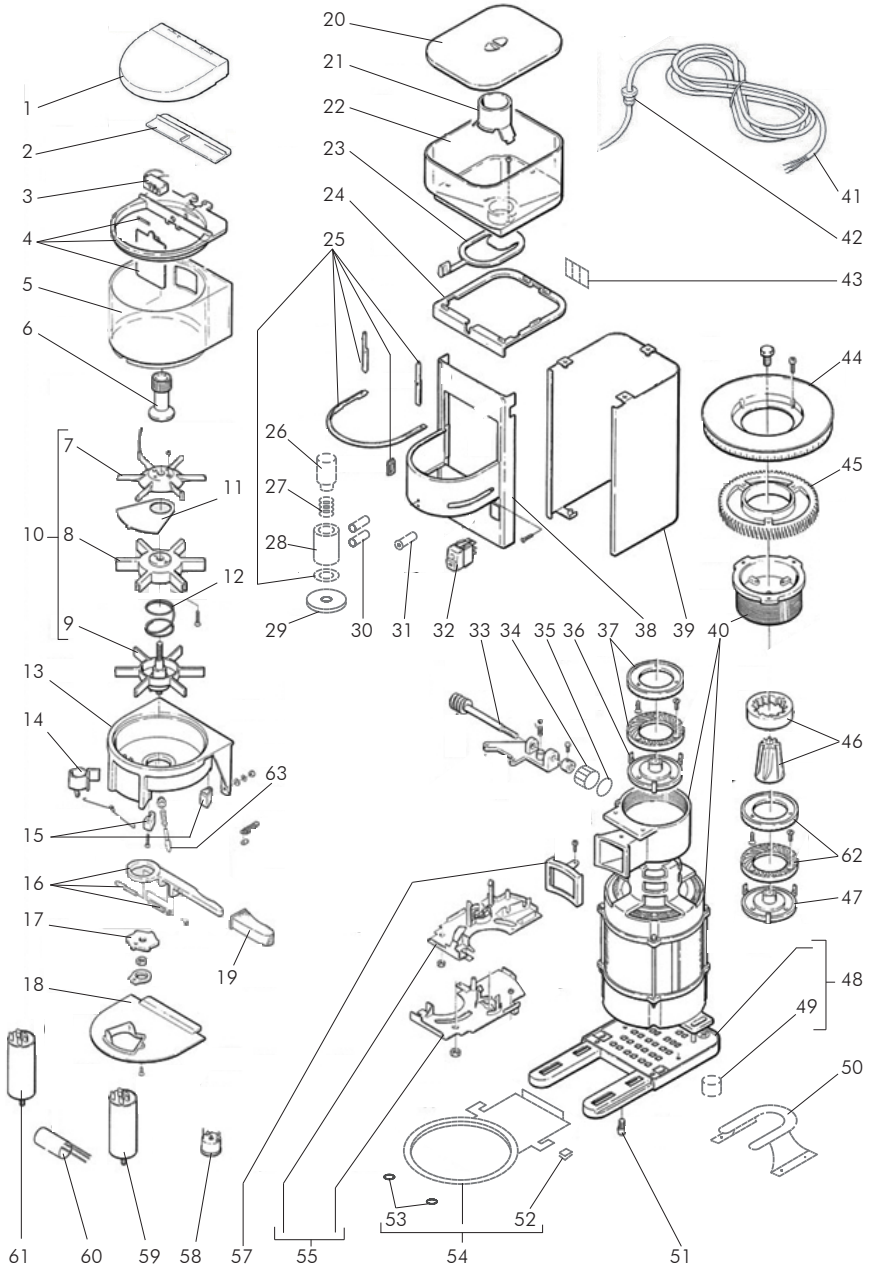
COD. 9942054.02

REV.00

TABLE 01 - BB012AT

POS	CODE	DESCRIPTION
1	0M0603008	DOSER COVER
2	0M0603006	HALF COVER
3	0M1205004	MICROSWITCH
4	0M1603001	COMPLETE AUTOMATIC COLLAR
5	0M0603001	BOX DISPENSER
6	0M1603002	DOSER KNOB
7	0M1603003	UPPER CROSS
8	0M0604001	FEMALE CROSS
9	0M0604002	MALE CROSS
10	0M1606003	CROSS KIT
11	0M0903001	FIELD DOSING
12	0M0204004	SPRING
13	0M0503001	DOSER
14	0M0603004	STROKE COUNTER
15	0M1606002	BUMPER
16	0M1603005	LEVER
17	0M1101003	STAR
18	0M0603011	DOSER BOTTOM
19	0M1001001	KNOB
20	0M0602002	COVER HOPPER
21	0M0602005	SAFE-FINGER CAP
22	0M0602007	HOPPER
23	0M0602006	DAMPER HOPPER
24	0M0502002	COLLAR
25	0M1606005	GASKET KIT
26	0M1607001	COFFEE-PRESS KNOB
27	0M0204005	SPRING
28	5479919	ROD GUIDE TAMPER
29	5221419CM	COFFEE-PRESS D.57
30	5262204	SPACER
31	7633623	BLUE LED
32	7633339	BIPOLAR SWITCH
33	0M1604001	COMPLETE MICROMETER ADJUSTMENT
34	5371814	ADJUSTMENT HANDLE
35	5373930LL	PLUG
36	0M0802002	PAD
37	0M1501001	FLAT GRINDSTONE 64
38	5074475LL	COMPLETE FRONTAL
39	5071732.01LW	BODY
40	0M1404001	COMPLETE MOTOR 100V 50/60HZ FOR FLAT GRINDSTONE
40	0M1404002	COMPLETE MOTOR 120V 60HZ FOR FLAT GRINDSTONE
40	0M1404003	COMPLETE MOTOR 220V 60HZ FOR FLAT GRINDSTONE
40	0M1404004	COMPLETE MOTOR 230/240V 50HZ FOR FLAT GRINDSTONE
40	0M1404005	COMPLETE MOTOR 100V 50/60HZ FOR CONICAL GRINDSTONE
40	0M1405006	COMPLETE MOTOR 120V 60HZ FOR CONICAL GRINDSTONE
40	0M1405007	COMPLETE MOTOR 220V 60HZ FOR CONICAL GRINDSTONE

TABLE 01 - BB012AT



	POS	CODE	DESCRIPTION	
TABLE 01 - BB012AT	40	0M1405008	COMPLETE MOTOR 230/240V 50HZ FOR CONICAL GRINDSTONE	
	41	0M1201001	CABLE WITH USA PLUG 100V 50/60HZ - 120V 60HZ	
	41	7555001	CABLE WITH SCHUKO PLUG	
	41	7554001	CABLE WITH ENGLISH PLUG	
	41	7552001	CABLE WITH AUSTRALIAN PLUG	
	42	0M1201003	FAIRLEAD WITH HOLE RUBBER	
	43	5521524	FLAG ITALY	
	44	0M1606007	DISC OF ADJUSTMENT	
	45	0M0604005	TOOTHED WHEEL	
	46	0M1501003	CONICAL GRINDSTONE 64 M+F	
	47	0M0802003	PAD FOR CONICAL GRINDSTONE	
	48	0M1601001	PAINTED BASEMENT	
	49	0M1606001	FEEET KIT	
	50	5079911LW	FORK	
	51	0M1606006	SCREWS KIT	
	52	7474217	ADHESIVE SQUARE FOOT	
	53	7999904	ADHESIVE ROUND FOOT	
	54	5070658LL	DRAIN TRAY COMPLETE	
	55	0M0605003	ELECTRICAL CONTROL SUPPORT	
	57	0M0301001	GASKET	
	58	0M1206002	THERMIC SAFETY DEVICE X 100V 50/60HZ - 120V 60HZ	
	58	0M1206001	THERMIC SAFETY DEVICE X 230/240V 50HZ	
	58	0M1206003	THERMIC SAFETY DEVICE X 220V 60HZ	
	59	0M1204003	CONDENSER 25MF X 100/120V	
	60	0M1204006	ANTI JAMMING FILTER X 220/230/240V	
	61	0M1203002	CIRCUIT BREAKER X 100/120V	
	61	0M1203001	CIRCUIT BREAKER X 220/230/240V	
	62	0M1501002	FLAT GRINDSTONE 64 FOR CONICAL GROUP	
	63	0M0204003	COUNTERS SHAFT	

TABLE 01 - BB012AT

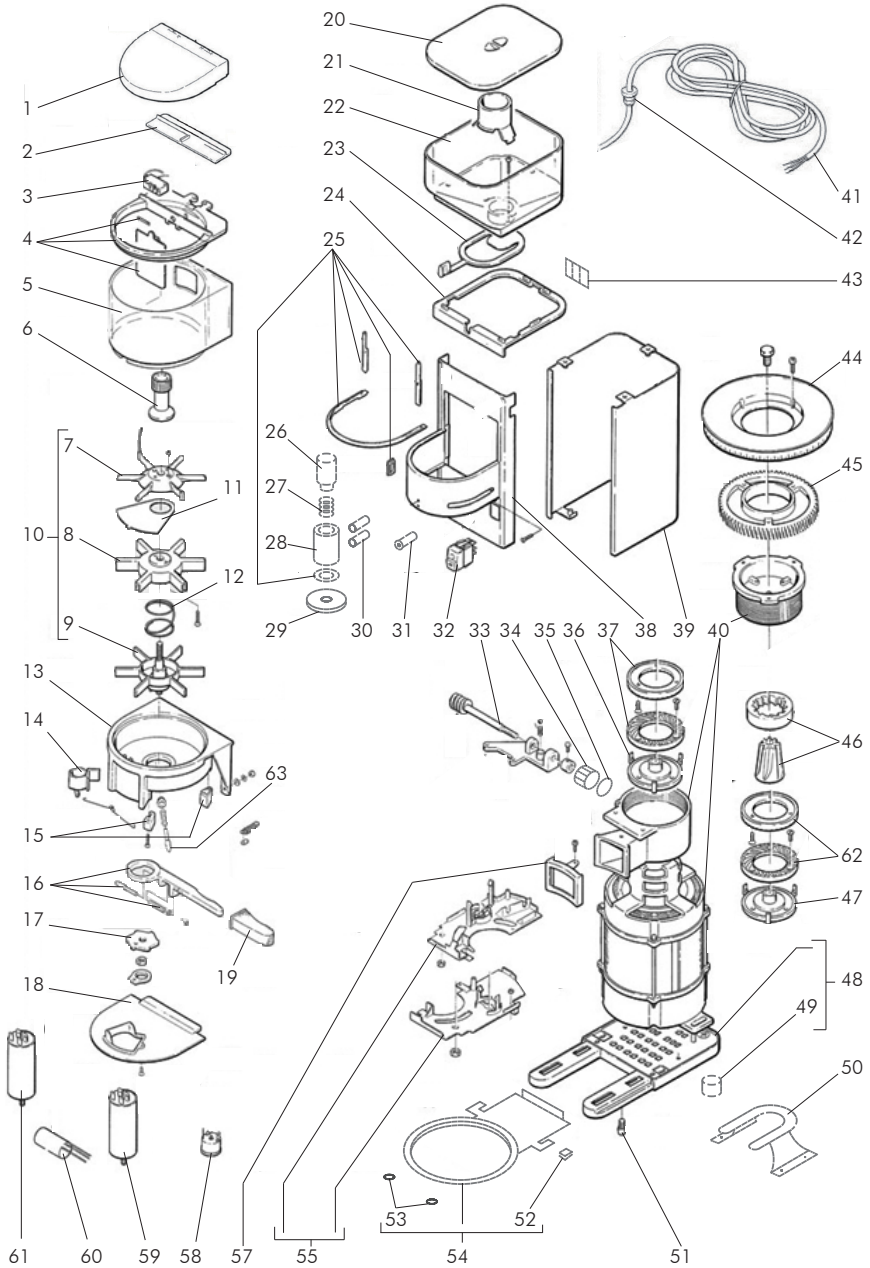


TABLE 02 - BB012MN

POS	CODE	DESCRIPTION
1	0M0603008	DOSER COVER
2	0M0603006	HALF COVER
3	0M0603003	COLLAR
4	0M0603001	BOX DISPENSER
5	0M1603002	DOSER KNOB
6	0M1603004	UPPER CROSS
7	0M0604001	FEMALE CROSS
8	0M0604002	MALE CROSS
9	0M1606004	CROSS KIT
10	0M0903001	FIELD DOSING
11	0M0204004	SPRING
12	0M0503001	DOSER
13	0M0603004	STROKE COUNTER
14	0M1606002	BUMPER
15	0M1603005	LEVER
16	0M1101003	STAR
17	0M0603011	DOSER BOTTOM
18	0M1001001	KNOB
19	0M0602002	COVER HOPPER
20	0M0602005	SAFE-FINGER CAP
21	0M0602007	HOPPER
22	0M0602006	DAMPER HOPPER
23	0M0502002	COLLAR
24	0M1606005	GASKET KIT
25	0M1607001	COFFEE-PRESS KNOB
26	0M0204005	SPRING
27	5479919	ROD GUIDE TAMPER
28	5221419CM	COFFEE-PRESS D.57
29	5262204	SPACER
30	7633623	BLUE LED
31	7633339	BIPOLAR SWITCH
32	0M1604001	COMPLETE MICROMETER ADJUSTMENT
33	5371814	ADJUSTMENT HANDLE
34	5373930LL	PLUG
35	0M0802002	PAD
36	0M1501001	FLAT GRINDSTONE 64
37	5074475LL	COMPLETE FRONTAL
38	5071732.01LW	BODY
39	0M1404001	COMPLETE MOTOR 100V 50/60HZ FOR FLAT GRINDSTONE
39	0M1404002	COMPLETE MOTOR 120V 60HZ FOR FLAT GRINDSTONE
39	0M1404003	COMPLETE MOTOR 220V 60HZ FOR FLAT GRINDSTONE
39	0M1404004	COMPLETE MOTOR 230/240V 50HZ FOR FLAT GRINDSTONE
40	0M1201001	CABLE WITH USA PLUG 100V 50/60HZ - 120V 60HZ
40	7555001	CABLE WITH SCHUKO PLUG
40	7554001	CABLE WITH ENGLISH PLUG
40	7552001	CABLE WITH AUSTRALIAN PLUG

TABLE 02 - BB012MN

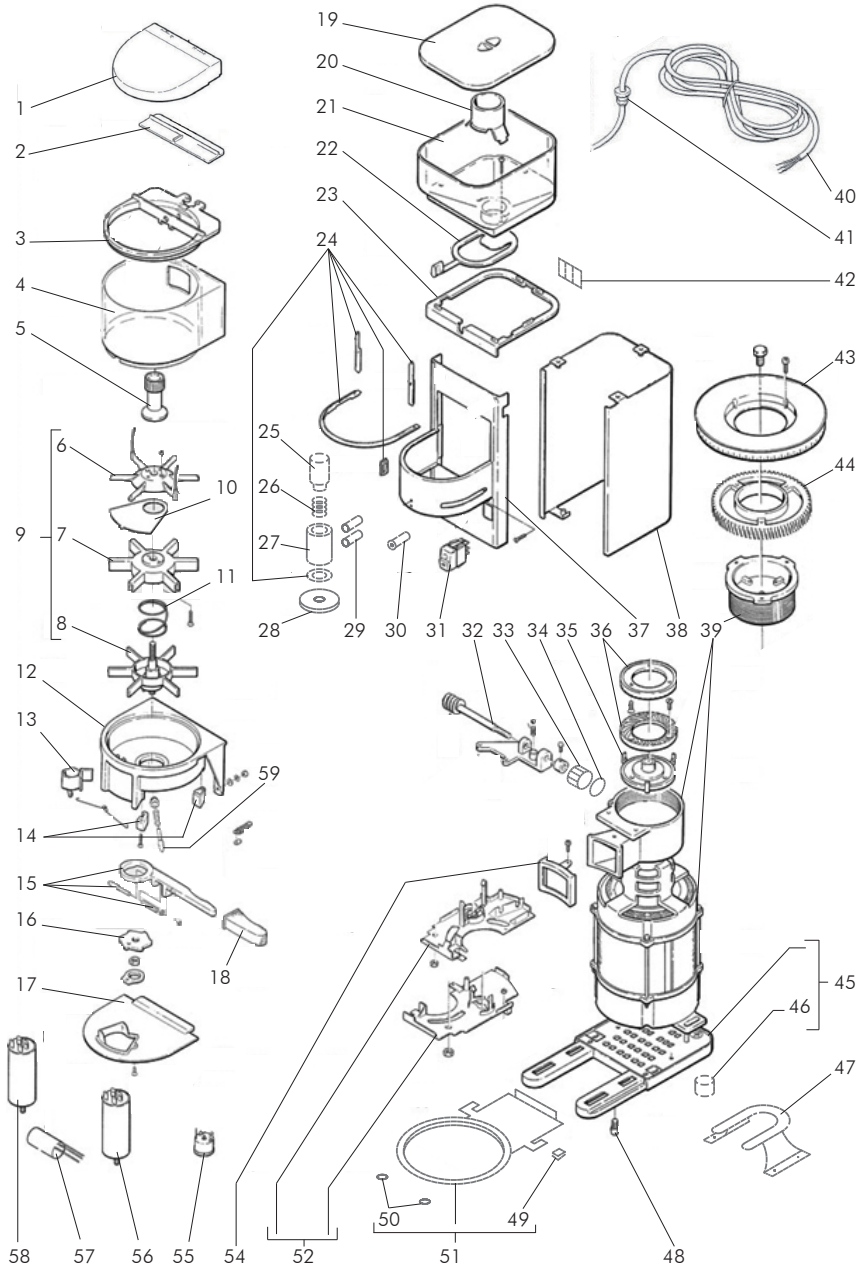


TABLE 02 - BB012MN

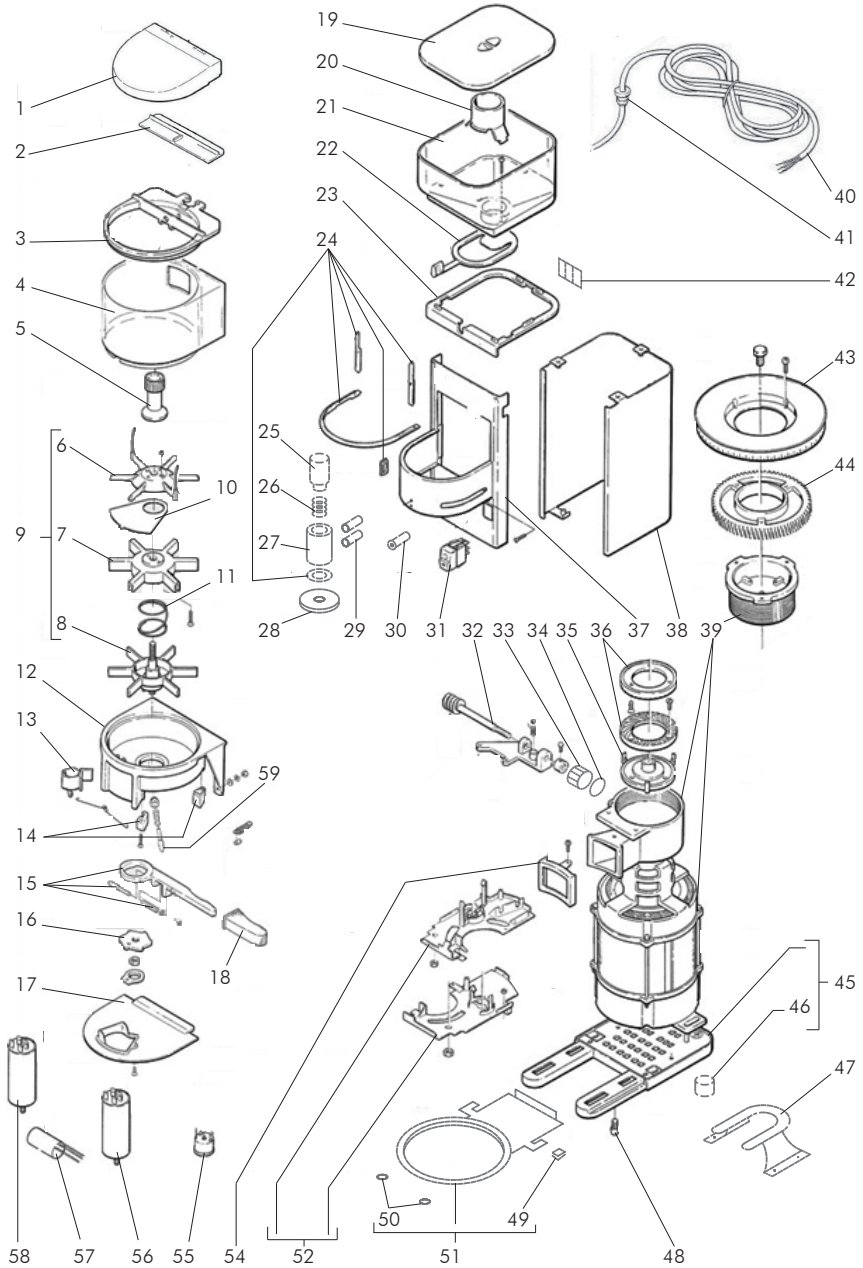


TABLE 03 - BB012TM

POS	CODE	DESCRIPTION
1	5373001	COFFEE-PRESS
2	7990608	CLEANING BRUSH
3	0M0602002	COVER HOPPER
4	0M0602005	SAFE-FINGER CAP
5	0M0602007	HOPPER
6	0M0602006	DAMPER HOPPER
7	0M0502002	COLLAR
8	0M1605002	COVER PANEL
8a	0M1605001	DISPLAY+ADHESIVE LABEL
9	0M0401006	ADHESIVE LABEL
10	0M0901001	FILTER HOLDER BRACKET
11	0M0902002	BRACKET
12	0M0902001	FIXING BRACKET
13	7633339	BIPOLAR SWITCH
14	0M1604001	COMPLETE MICROMETER ADJUSTMENT
15	5371814	ADJUSTMENT HANDLE
16	5373930LL	PLUG
17	0M0802002	PAD
18	0M1501001	FLAT GRINDSTONE 64
19	0M1601003	COMPLETE FRONTAL
20	5071732.01LW	BODY
21	0M1404009	COMPLETE MOTOR 100V 50/60HZ FOR FLAT GRINDSTONE
21	0M1404010	COMPLETE MOTOR 120V 60HZ FOR FLAT GRINDSTONE
21	0M1404011	COMPLETE MOTOR 220V 60HZ FOR FLAT GRINDSTONE
21	0M1404012	COMPLETE MOTOR 230/240V 50HZ FOR FLAT GRINDSTONE
22	0M1201001	CABLE WITH USA PLUG 100V 50/60HZ - 120V 60HZ
22	7555001	CABLE WITH SCHUKO PLUG
22	7554001	CABLE WITH ENGLISH PLUG
22	7552001	CABLE WITH AUSTRALIAN PLUG
23	0M1201003	FAIRLEAD WITH HOLE RUBBER
24	5521524	FLAG ITALY
25	0M1606007	DISC OF ADJUSTMENT
26	0M0604005	TOOTHED WHEEL
27	0M1601002	PAINTED BASEMENT
28	0M1606001	FEET KIT
29	0M1606006	SCREWS KIT
30	7474217	ADHESIVE SQUARE FOOT
31	7999904	ADHESIVE ROUND FOOT
32	5070658LL	DRAIN TRAY COMPLETE
33	0M1301002	ELECTRONIC BOX X 220/230/240V
33	0M1301001	ELECTRONIC BOX X 110/120V
34	0M0902003	MOTOR SUPPORT
35	0M1302001	CABLE FOR ELECTRIC BOARD
36	0M1204005	CONDENSER 50MF X 100/120V
37	0M1204004	CONDENSER 25MF X 100/120V
37	0M1204001	CONDENSER 10MF X 220/230/240V

TABLE 03 - BB012TM

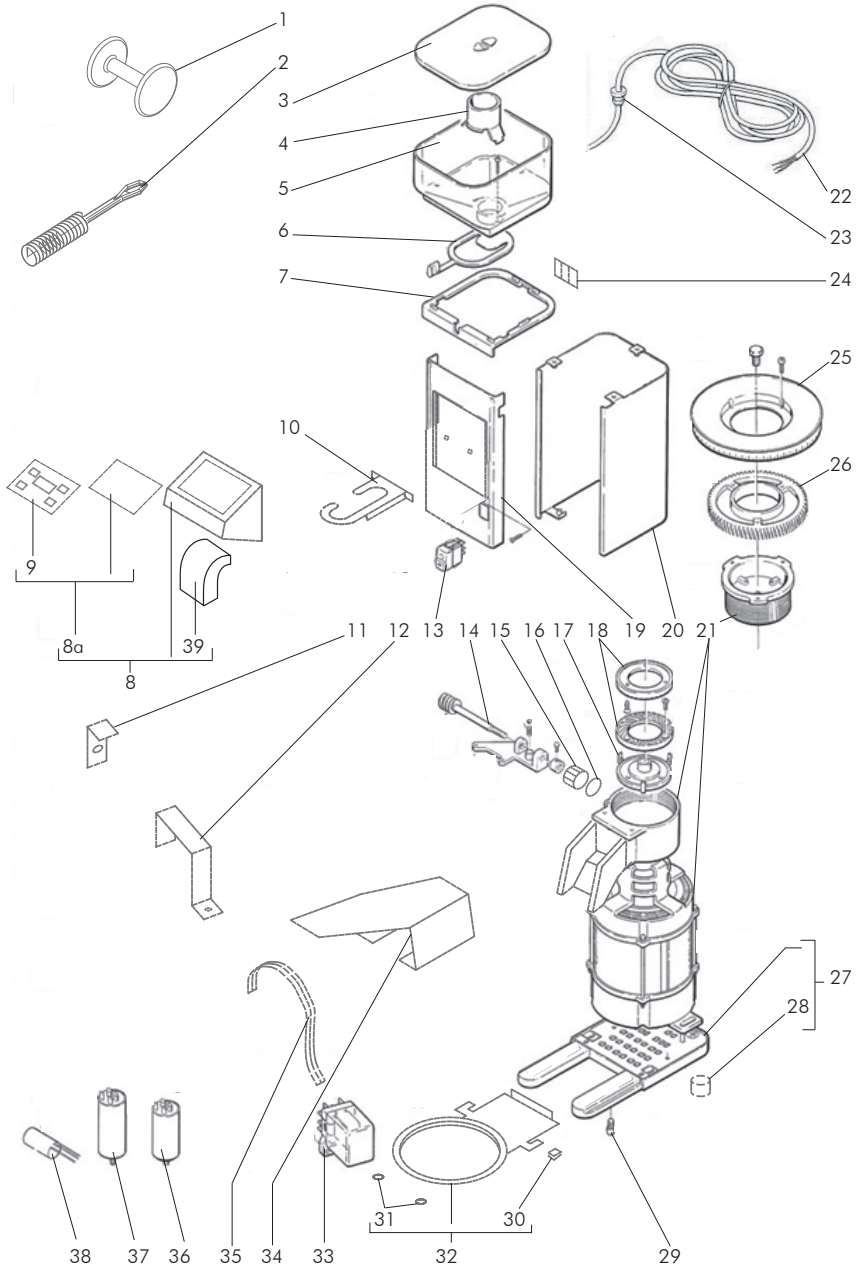
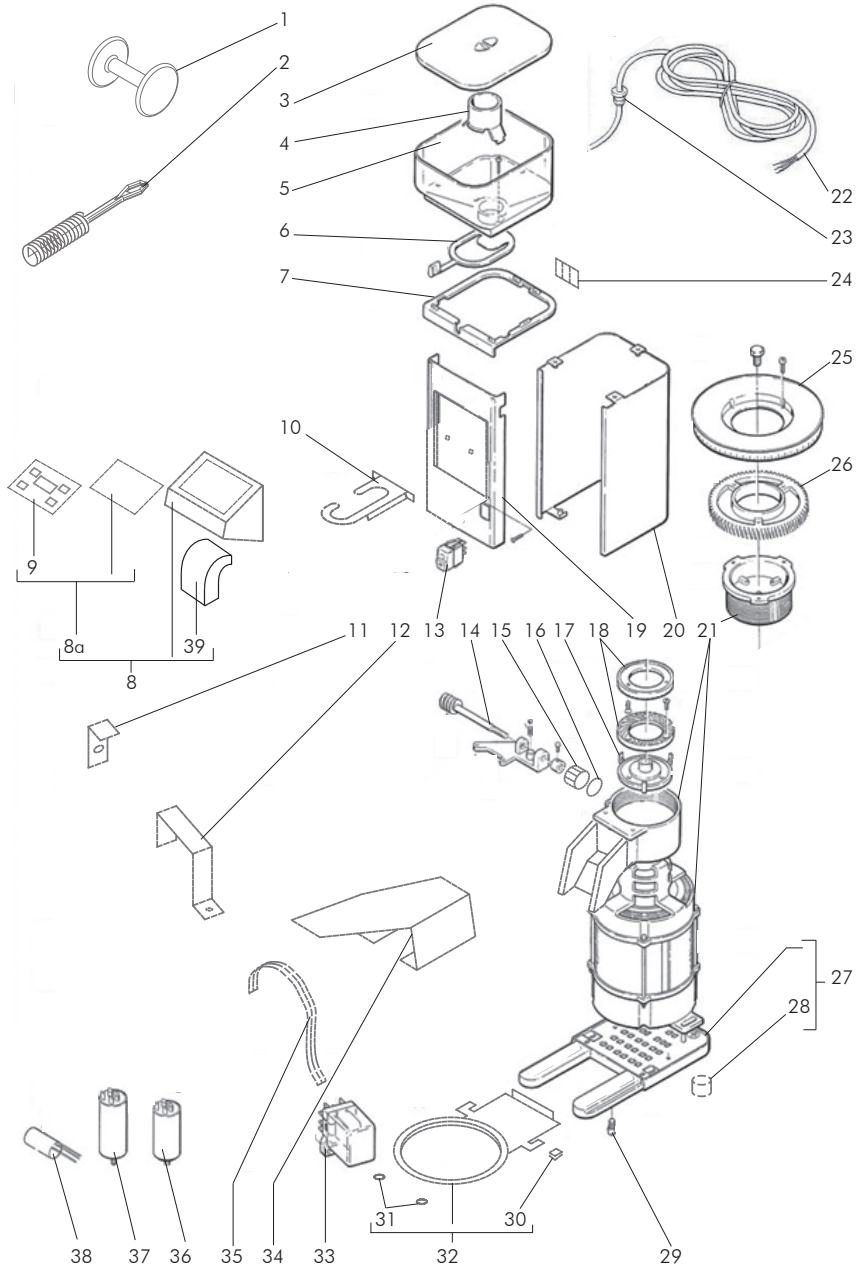


TABLE 03 - BB012TM





BEZZERA

Dal 1901

G.BEZZERA

MACCHINE PER CAFFE' ESPRESSO

Via Luigi Bezzera,1

20088 Rosate - Milano - Italy

Tel. ++39 02 90848102 r.a. - Telefax ++39 02 90870287

Web: www.g.bezzera.it

e-mail: commerciale@bezzera.it