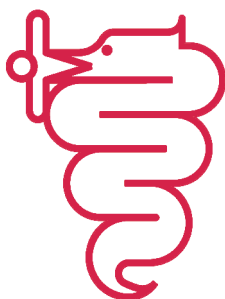


# B6000



**BEZZERA**

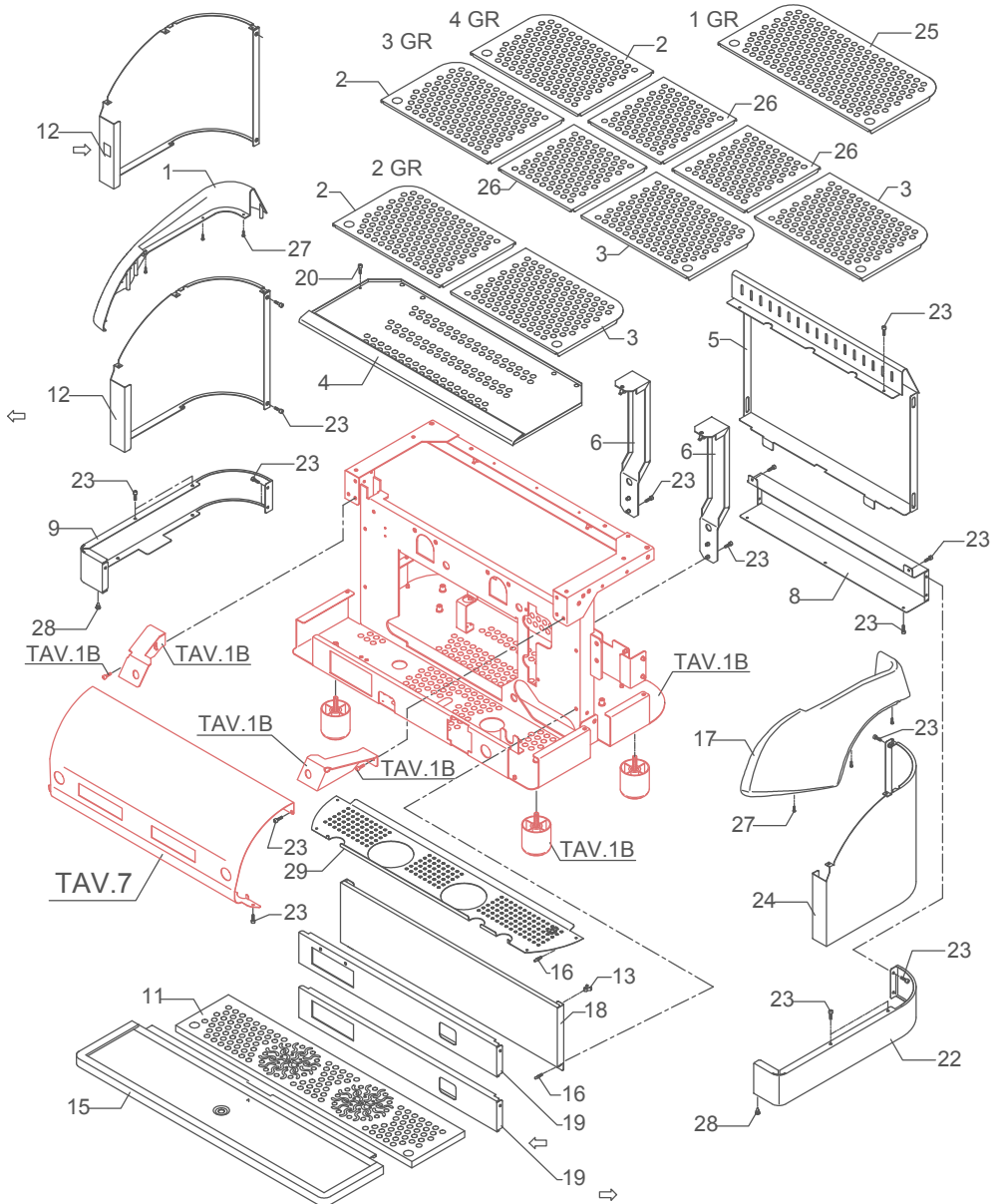
Dal 1901

**COD. 9942046.05**

**REV.00**

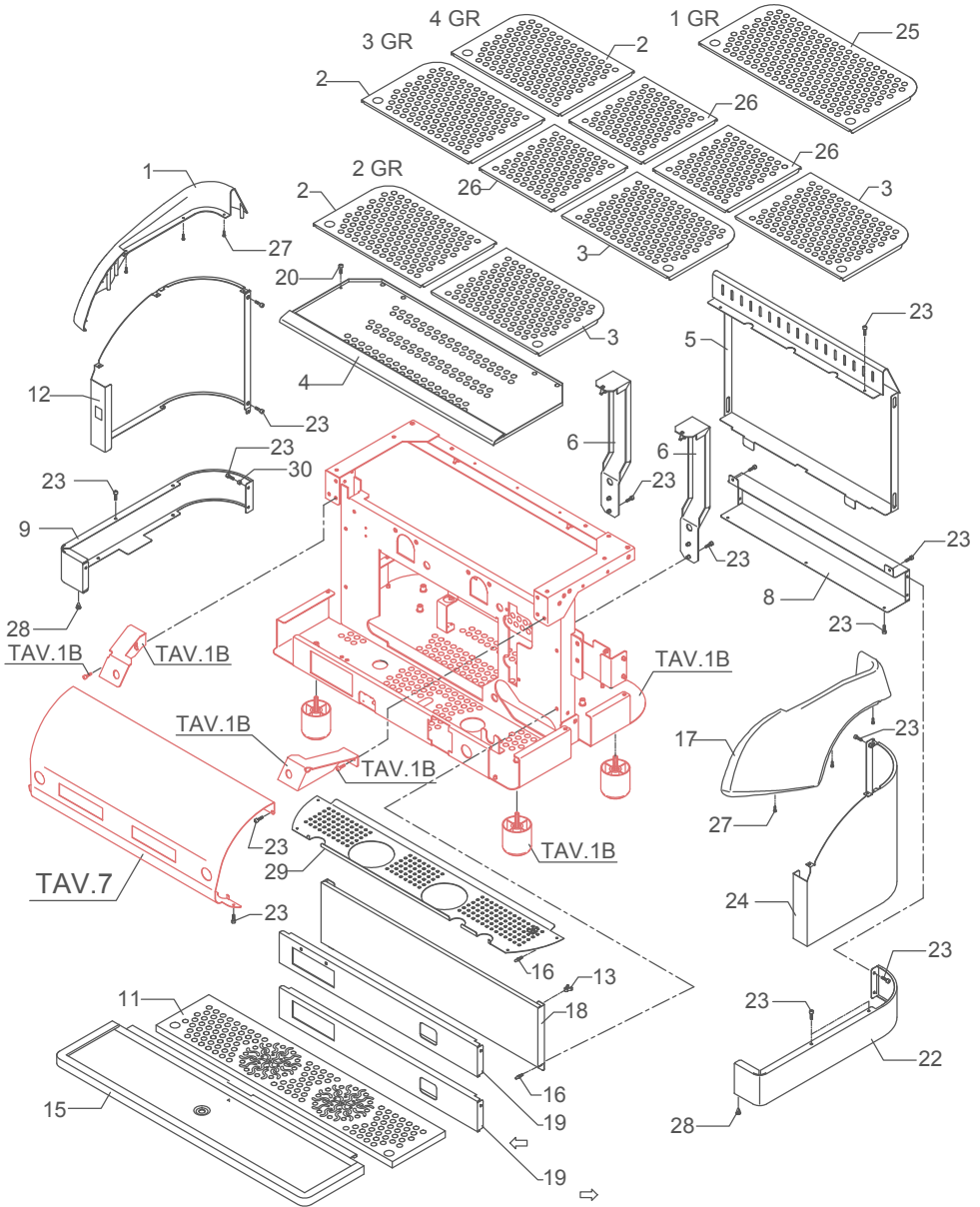
<b>POS</b>	<b>CODE</b>	<b>DESCRIPTION</b>	
<b>TABLE 1 (up to 09.05.13) Mod. DE</b>	1	5370908.01VC	LEFT FRAME PLASTIC
	2	5074581LW	CUPS-HEATER GRID
	3	5074582LW	CUPS-HEATER GRID
	4	5343061.01	CUPS-HEATER 1GR
	4	5343062.01	CUPS-HEATER 2GR
	4	5343063.01	CUPS-HEATER 3GR
	5	5095190LW	REAR PANEL 1GR
	5	5095191LW	REAR PANEL 2GR
	5	5095192LW	REAR PANEL 3GR
	6	5018108LL	REAR BRACKET
	8	5099009LW	CENTRAL SOCLE 1GR
	8	5099010LW	CENTRAL SOCLE 2GR
	8	5099011LW	CENTRAL SOCLE 3GR
	9	5073634LW	BASEMENT LEFT LATERAL SIDE
	11	5094567LW	TRAY GRID 1GR
	11	5094566LW	TRAY GRID 2GR
	11	5094568LW	TRAY GRID 3GR
	12	5073621LL	LEFT LATERAL SIDE BODY (up to 16.09.11)
	12	5073638LL	LEFT LATERAL SIDE BODY (from 17.09.11)
	13	5471533	SHAPED SPRING
	15	5070630DL	DRIP TRAY 1GR
	15	5070631DL	DRIP TRAY 2GR
	15	5070632DL	DRIP TRAY 3GR
	16	5244008NC	STUD M4X22.6 AVP NICHEL-PLATED
	17	5370909.01VC	RIGHT FRAME PLASTIC
	18	5094356LW	GROUP FRONTAL 1GR
	18	5094357LW	GROUP FRONTAL 2GR
	18	5094358LW	GROUP FRONTAL 3GR
	19	5094807SG	BASEMENT FRONTAL DE 1GR (up to 16.09.11)
	19	5094808SG	BASEMENT FRONTAL DE 2GR (up to 16.09.11)
	19	5094809SG	BASEMENT FRONTAL DE 3GR (up to 16.09.11)
	19	5094807.01SG	BASEMENT FRONTAL DE 1GR (from 17.09.11)
	19	5094808.01SG	BASEMENT FRONTAL DE 2GR (from 17.09.11)
	19	5094809.01SG	BASEMENT FRONTAL DE 3GR (from 17.09.11)
	20	7817801	SCREW TPS M4 X 16
	22	5073635LW	BASEMENT RIGHT LATERAL SIDE
	23	7816002	SCREW TCEI M4X12
	24	5073620LL	RIGHT LATERAL SIDE BODY
	25	5074580LW	CUPS-HEATER GRID 1GR
	26	5074583LW	CUPS-HEATER GRID
	27	7809801	SCREW TC M3X10
	28	7999909	FIXING PIN D5 X 11 NYLON
29	5094293LW	BOTTOM WORKING FRONTAL PANEL 1GR	
29	5094295LW	BOTTOM WORKING FRONTAL PANEL 2GR	
29	5094806LW	BOTTOM WORKING FRONTAL PANEL 3GR	

**TABLE 1 (up to 09.05.13)**  
**Mod. DE**



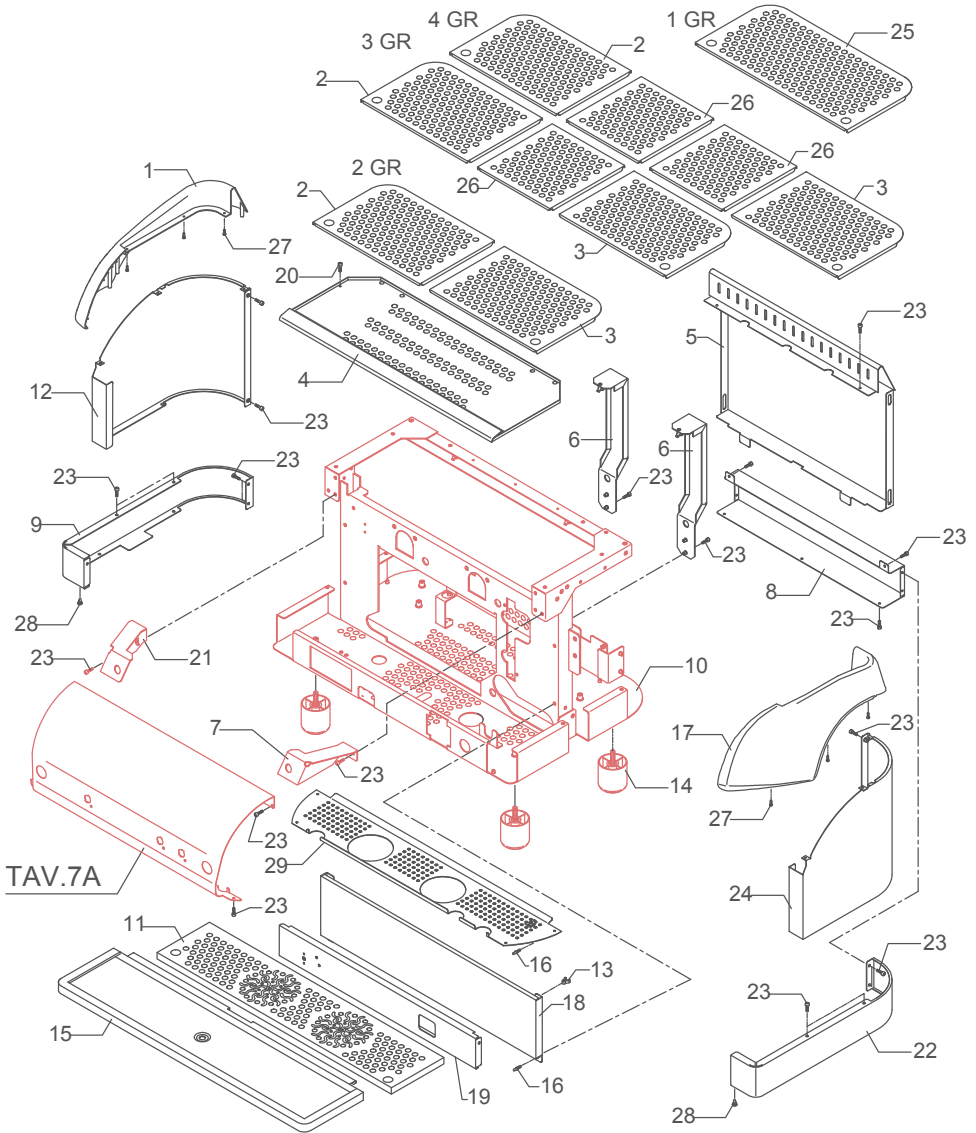
<b>POS</b>	<b>CODE</b>	<b>DESCRIPTION</b>	
<b>TABLE 1 (from 10.05.13) Mod. DE</b>	1	5370908.01VC	LEFT FRAME PLASTIC
	2	5074581LW	CUPS-HEATER GRID
	3	5074582LW	CUPS-HEATER GRID
	4	5343061.01	CUPS-HEATER 1GR
	4	5343062.01	CUPS-HEATER 2GR
	4	5343063.01	CUPS-HEATER 3GR
	5	5095190LW	REAR PANEL 1GR
	5	5095191LW	REAR PANEL 2GR
	5	5095192LW	REAR PANEL 3GR
	6	5018108LL	REAR BRACKET
	8	5099009LW	CENTRAL SOCLE 1GR
	8	5099010LW	CENTRAL SOCLE 2GR
	8	5099011LW	CENTRAL SOCLE 3GR
	9	5073634LW	BASEMENT LEFT LATERAL SIDE
	11	5094567LW	TRAY GRID 1GR
	11	5094566LW	TRAY GRID 2GR
	11	5094568LW	TRAY GRID 3GR
	12	5073638.01LL	LEFT LATERAL SIDE BODY
	13	5471533	SHAPED SPRING
	15	5070630DL	DRIP TRAY 1GR
	15	5070631DL	DRIP TRAY 2GR
	15	5070632DL	DRIP TRAY 3GR
	16	5244008NC	STUD M4X22.6 AVP NICHEL-PLATED
	17	5370909.01VC	RIGHT FRAME PLASTIC
	18	5094356LW	GROUP FRONTAL 1GR
	18	5094357LW	GROUP FRONTAL 2GR
	18	5094358LW	GROUP FRONTAL 3GR
	19	5094807SG	BASEMENT FRONTAL DE 1GR (up to 16.09.11)
	19	5094808SG	BASEMENT FRONTAL DE 2GR (up to 16.09.11)
	19	5094809SG	BASEMENT FRONTAL DE 3GR (up to 16.09.11)
19	5094807.01SG	BASEMENT FRONTAL DE 1GR (from 17.09.11)	
19	5094808.01SG	BASEMENT FRONTAL DE 2GR (from 17.09.11)	
19	5094809.01SG	BASEMENT FRONTAL DE 3GR (from 17.09.11)	
20	7817801	SCREW TPS M4 X 16	
22	5073635LW	BASEMENT RIGHT LATERAL SIDE	
23	7816002	SCREW TCEI M4X12	
24	5073620.01LL	RIGHT LATERAL SIDE BODY	
25	5074580LW	CUPS-HEATER GRID 1GR	
26	5074583LW	CUPS-HEATER GRID	
27	7809801	SCREW TC M3X10	
28	7999909	FIXING PIN D5 X 11 NYLON	
29	5094293LW	BOTTOM WORKING FRONTAL PANEL 1GR	
29	5094295LW	BOTTOM WORKING FRONTAL PANEL 2GR	
29	5094806LW	BOTTOM WORKING FRONTAL PANEL 3GR	
30	5220802	BUSHING D10 X 4.2 OT	

**TABLE 1 (from 10.05.13)**  
**Mod. DE**



<b>POS</b>	<b>CODE</b>	<b>DESCRIPTION</b>	
<b>TABLE 1A (up to 09.05.13) Mod. PM</b>	1	5370908.01VC	LEFT FRAME PLASTIC
	2	5074581LW	CUPS-HEATER GRID
	3	5074582LW	CUPS-HEATER GRID
	4	5343061.01	CUPS-HEATER 1GR
	4	5343062.01	CUPS-HEATER 2GR
	4	5343063.01	CUPS-HEATER 3GR
	5	5095190LW	REAR PANEL 1GR
	5	5095191LW	REAR PANEL 2GR
	5	5095192LW	REAR PANEL 3GR
	6	5018108LL	REAR BRACKET
	8	5099009LW	CENTRAL SOCLE 1GR
	8	5099010LW	CENTRAL SOCLE 2GR
	8	5099011LW	CENTRAL SOCLE 3GR
	9	5073634LW	BASEMENT LEFT LATERAL SIDE
	11	5094567LW	TRAY GRID 1GR
	11	5094566LW	TRAY GRID 2GR
	11	5094568LW	TRAY GRID 3GR
	12	5073621LL	LEFT LATERAL SIDE BODY
	13	5471533	SHAPED SPRING
	15	5070630DL	DRIP TRAY 1GR
	15	5070631DL	DRIP TRAY 2GR
	15	5070632DL	DRIP TRAY 3GR
	16	5244008NC	STUD M4X22.6 AVP NICHEL-PLATED
	17	5370909.01VC	RIGHT FRAME PLASTIC
	18	5094356LW	GROUP FRONTAL 1GR
	18	5094817LW	GROUP FRONTAL 1GR + GAS
	18	5094357LW	GROUP FRONTAL 2GR
	18	5094412LW	GROUP FRONTAL 2GR + GAS
	18	5094358LW	GROUP FRONTAL 3GR
	18	5094426LW	GROUP FRONTAL 3GR + GAS
	19	5094422SG	BASEMENT FRONTAL PM 1GR
	19	5094423SG	BASEMENT FRONTAL PM 2GR
	19	5094815SG	BASEMENT FRONTAL PM 2GR + GAS
	19	5094424SG	BASEMENT FRONTAL PM 3GR
	19	5094816SG	BASEMENT FRONTAL PM 3GR + GAS
	20	7817801	SCREW TPS M4 X 16
	22	5073635LW	BASEMENT RIGHT LATERAL SIDE
	23	7816002	SCREW TCEI M4X12
	24	5073620LL	RIGHT LATERAL SIDE BODY
	25	5074580LW	CUPS-HEATER GRID 1GR
	26	5074583LW	CUPS-HEATER GRID
	27	7809801	SCREW TC M3X10
28	7999909	FIXING PIN D5 X 11 NYLON	
29	5094293LW	BOTTOM WORKING FRONTAL PANEL 1GR	
29	5094295LW	BOTTOM WORKING FRONTAL PANEL 2GR	
29	5094806LW	BOTTOM WORKING FRONTAL PANEL 3GR	

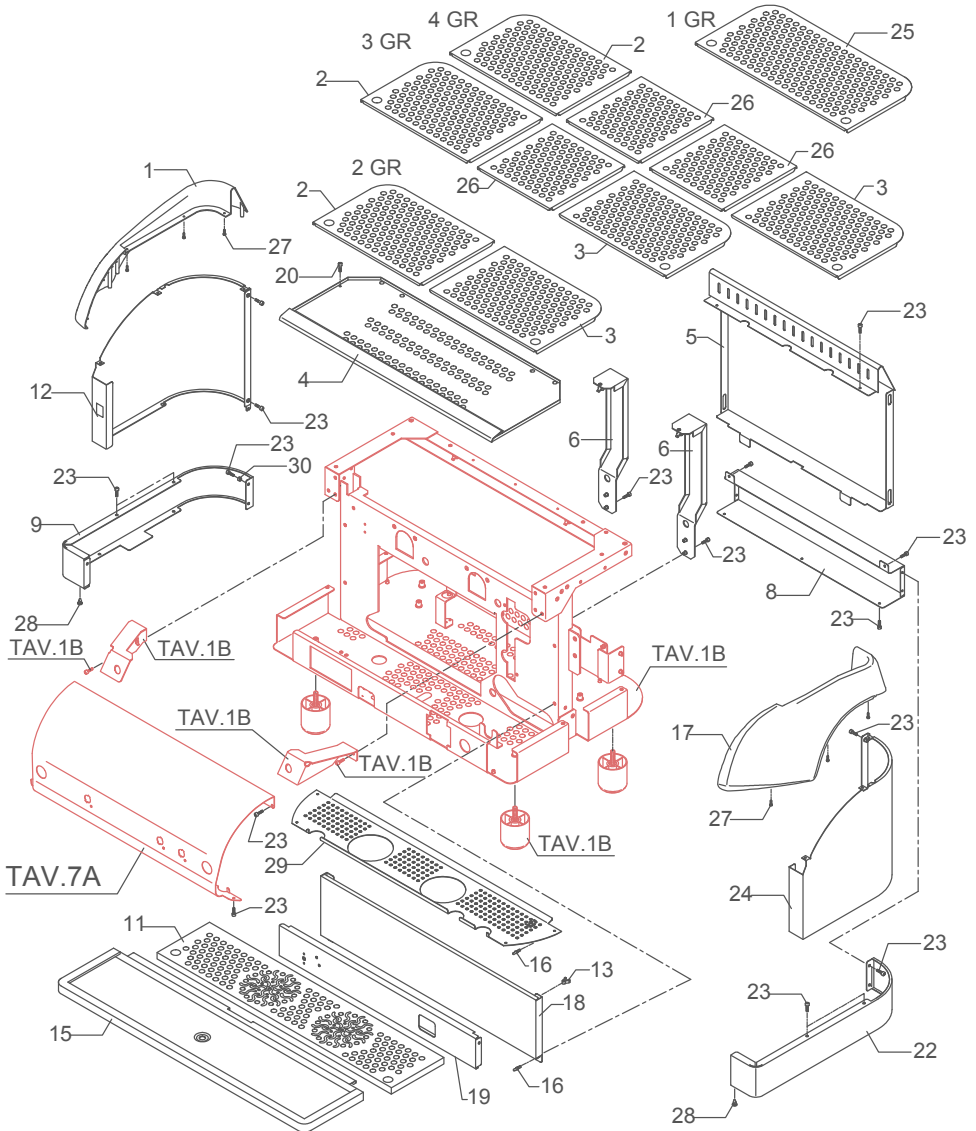
**TABLE 1A (up to 09.05.13)**  
**Mod. PM**



	<b>POS</b>	<b>CODE</b>	<b>DESCRIPTION</b>
<b>TABLE 1A (from 10.05.13) Mod. PM</b>	1	5370908.01VC	LEFT FRAME PLASTIC
	2	5074581LW	CUPS-HEATER GRID
	3	5074582LW	CUPS-HEATER GRID
	4	5343061.01	CUPS-HEATER 1GR
	4	5343062.01	CUPS-HEATER 2GR
	4	5343063.01	CUPS-HEATER 3GR
	5	5095190LW	REAR PANEL 1GR
	5	5095191LW	REAR PANEL 2GR
	5	5095192LW	REAR PANEL 3GR
	6	5018108LL	REAR BRACKET
	8	5099009LW	CENTRAL SOCLE 1GR
	8	5099010LW	CENTRAL SOCLE 2GR
	8	5099011LW	CENTRAL SOCLE 3GR
	9	5073634LW	BASEMENT LEFT LATERAL SIDE
	11	5094567LW	TRAY GRID 1GR
	11	5094566LW	TRAY GRID 2GR
	11	5094568LW	TRAY GRID 3GR
	12	5073621.01LL	LEFT LATERAL SIDE BODY
	13	5471533	SHAPED SPRING
	15	5070630DL	DRIP TRAY 1GR
	15	5070631DL	DRIP TRAY 2GR
	15	5070632DL	DRIP TRAY 3GR
	16	5244008NC	STUD M4X22.6 AVP NICHEL-PLATED
	17	5370909.01VC	RIGHT FRAME PLASTIC
	18	5094356LW	GROUP FRONTAL 1GR
	18	5094817LW	GROUP FRONTAL 1GR + GAS
	18	5094357LW	GROUP FRONTAL 2GR
	18	5094412LW	GROUP FRONTAL 2GR + GAS
	18	5094358LW	GROUP FRONTAL 3GR
	18	5094426LW	GROUP FRONTAL 3GR + GAS
	19	5094422SG	BASEMENT FRONTAL PM 1GR
	19	5094423SG	BASEMENT FRONTAL PM 2GR
	19	5094815SG	BASEMENT FRONTAL PM 2GR + GAS
	19	5094424SG	BASEMENT FRONTAL PM 3GR
	19	5094816SG	BASEMENT FRONTAL PM 3GR + GAS
	20	7817801	SCREW TPS M4 X 16
	22	5073635LW	BASEMENT RIGHT LATERAL SIDE
	23	7816002	SCREW TCEI M4X12
	24	5073620.01LL	RIGHT LATERAL SIDE BODY
	25	5074580LW	CUPS-HEATER GRID 1GR
	26	5074583LW	CUPS-HEATER GRID
	27	7809801	SCREW TC M3X10
28	7999909	FIXING PIN D5 X 11 NYLON	
29	5094293LW	BOTTOM WORKING FRONTAL PANEL 1GR	
29	5094295LW	BOTTOM WORKING FRONTAL PANEL 2GR	
29	5094806LW	BOTTOM WORKING FRONTAL PANEL 3GR	

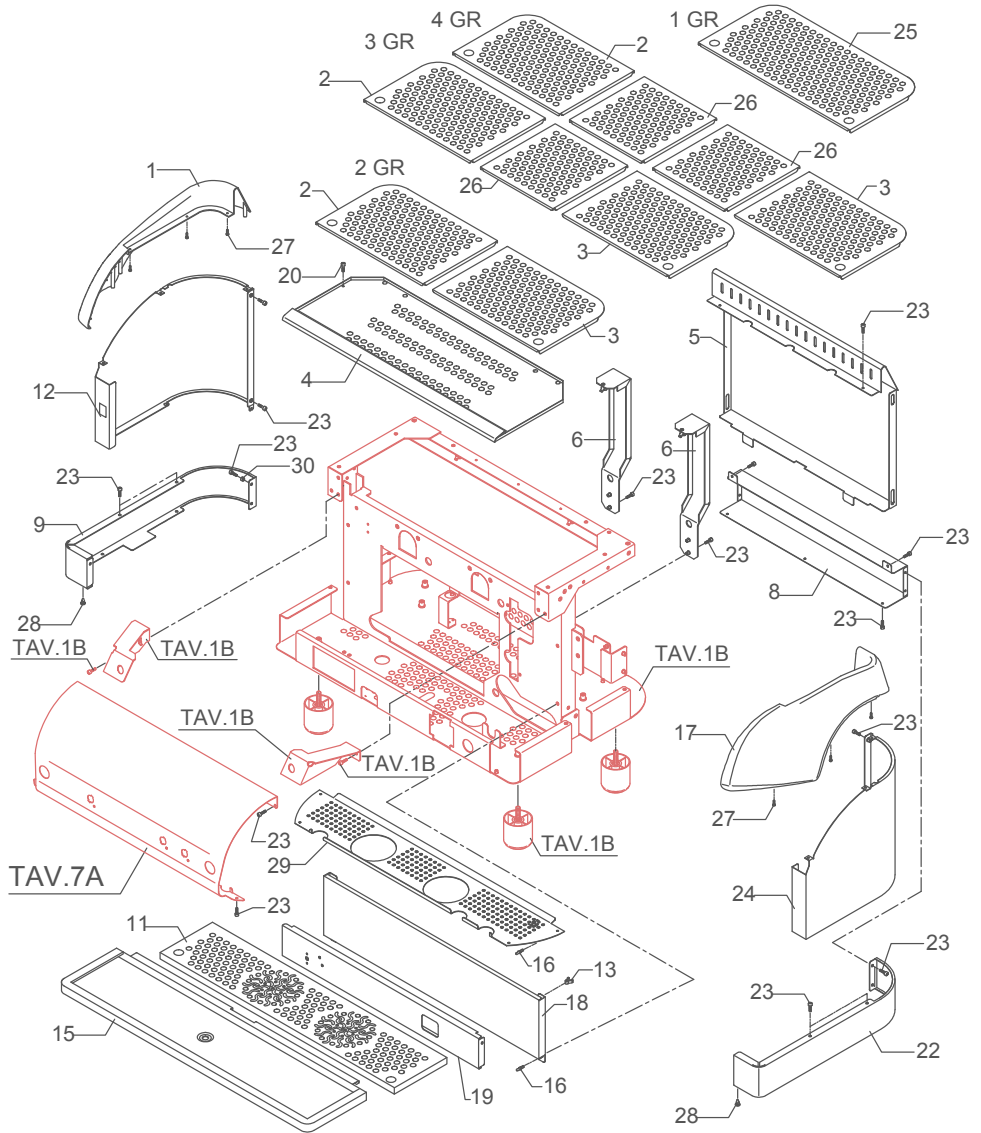


**TABLE 1A (from 10.05.13)  
Mod. PM**



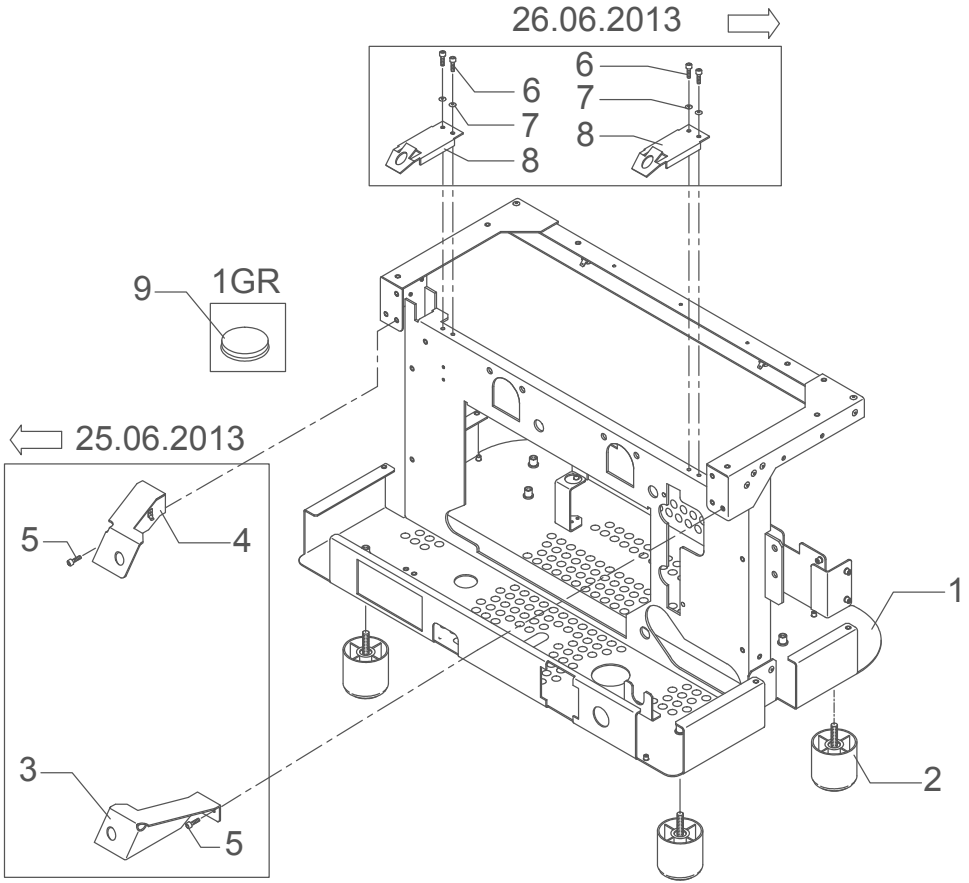


**TABLE 1A (from 10.05.13)**  
**Mod. PM**



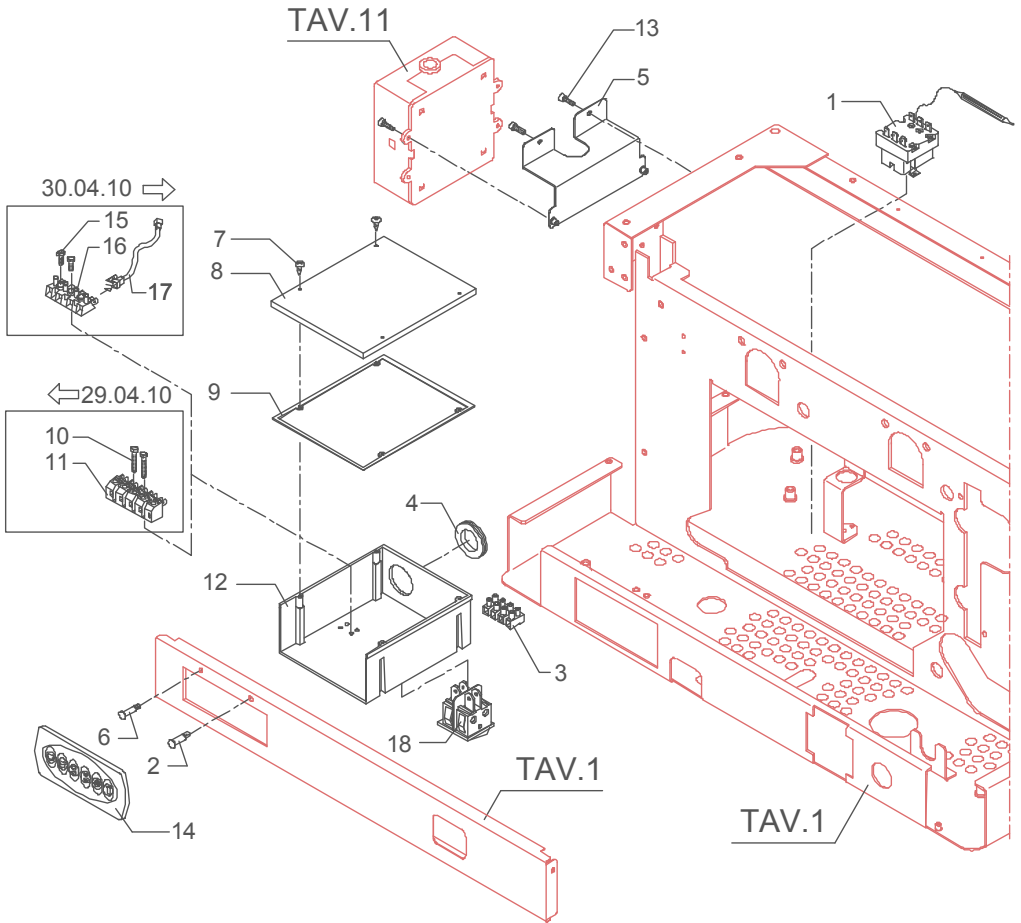


**TABLE 1B**  
**Mod. DE - PM**





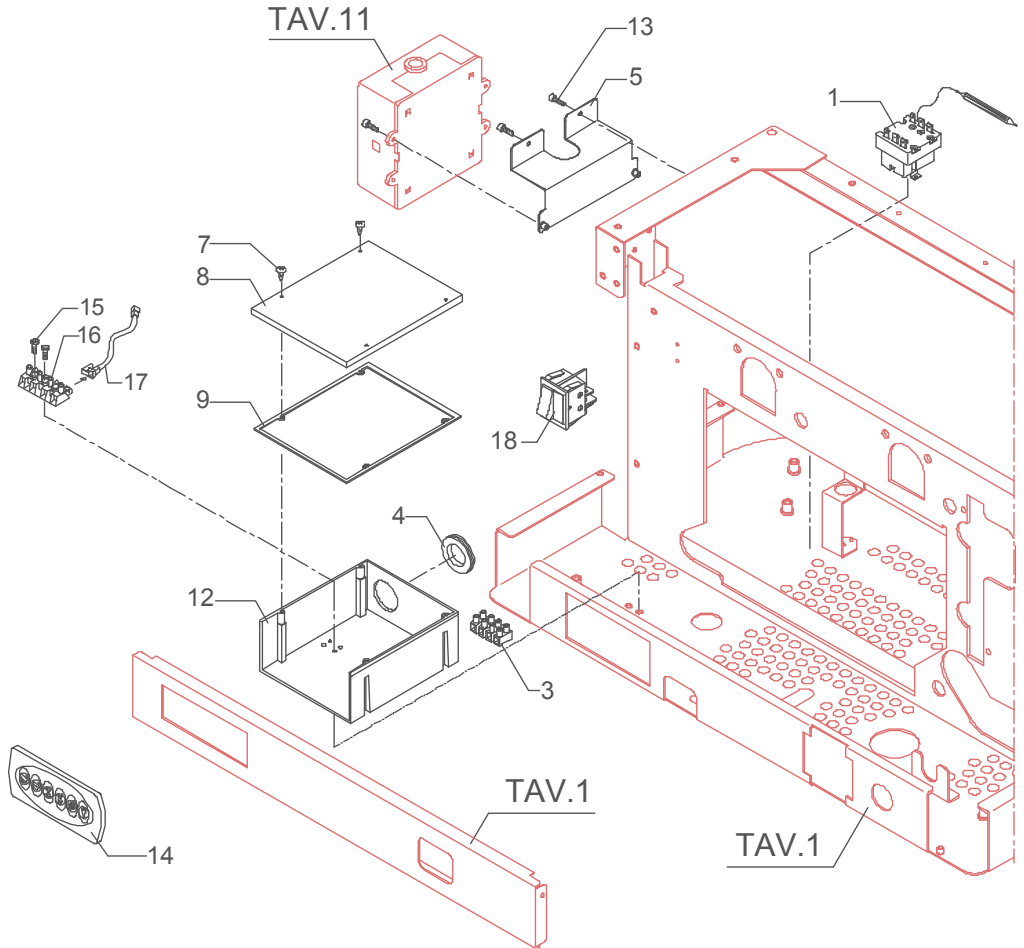
**TABLE 2 (up to 16.09.11)**  
**Mod. DE**





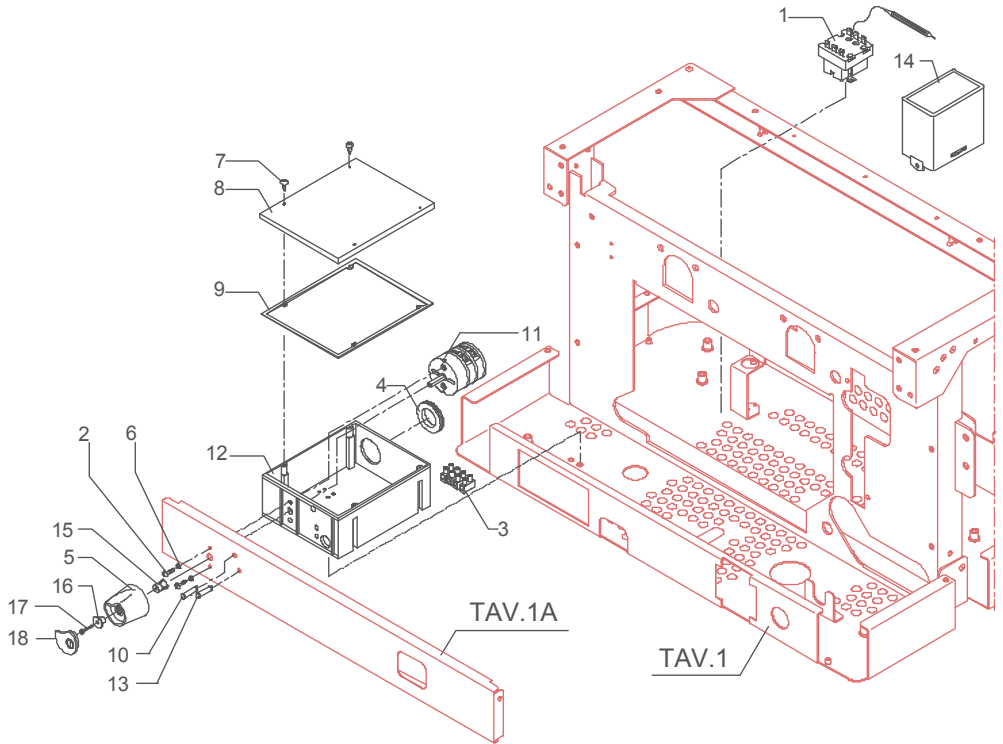


**TABLE 2 (from 17.09.11)**  
**Mod. DE**



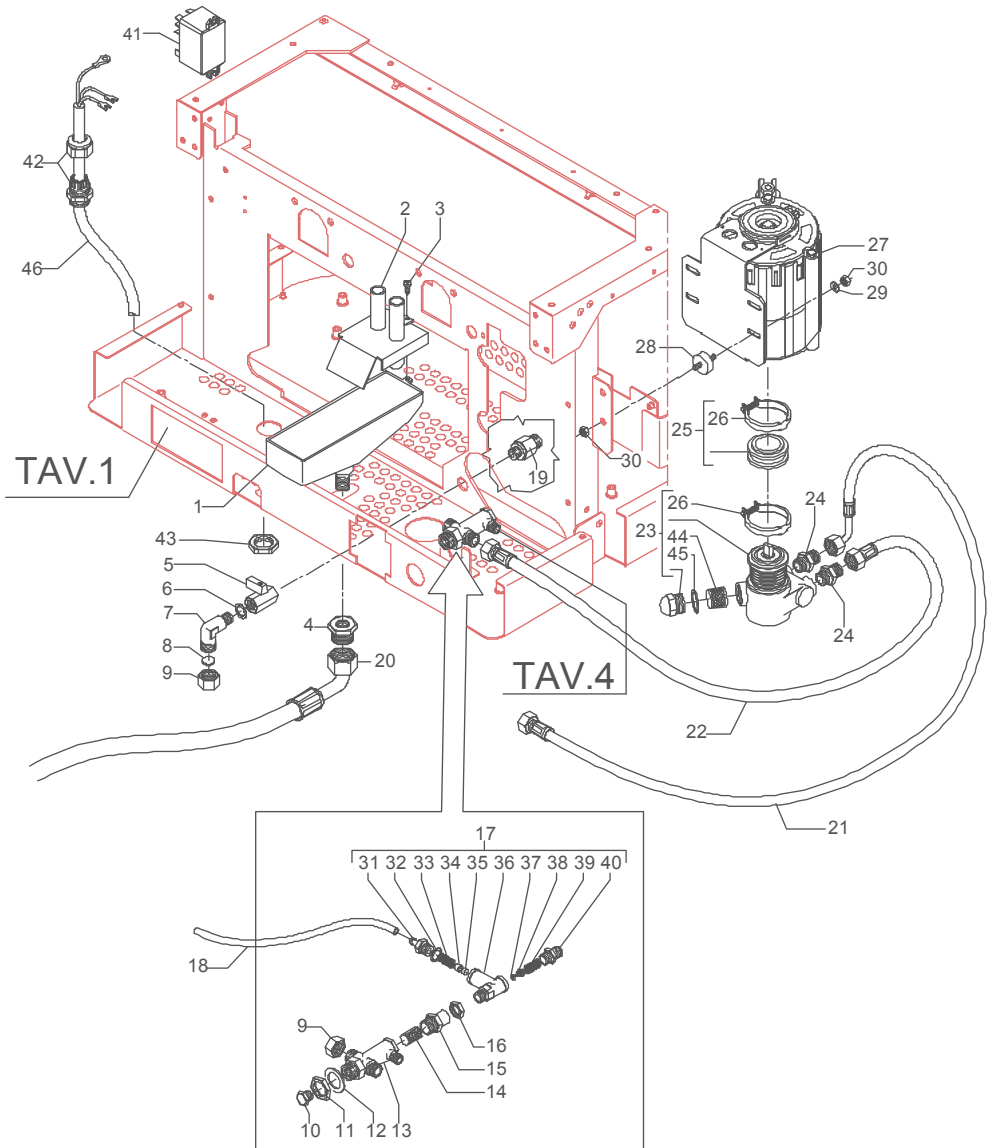


**TABLE 2A**  
**Mod. PM**



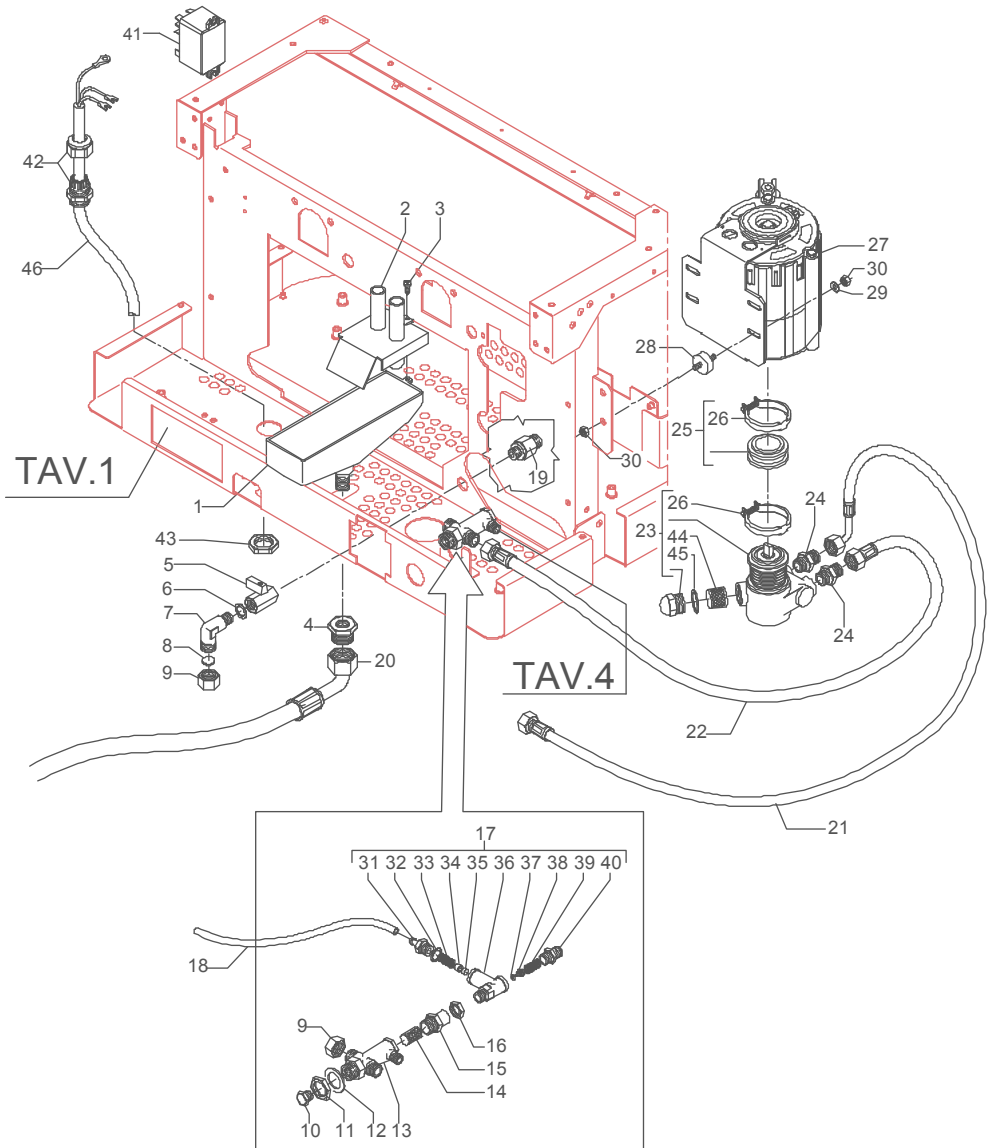
<b>POS</b>	<b>CODE</b>	<b>DESCRIPTION</b>	
<b>TABLE 3 Mod. DE - PM</b>	1	5374501.01	DRIP TRAY
	2	5373104.01LL	DRAIN CUP COVER
	3	7809800	TAPPING SCREW TB D3.9 X 9.5 UNI6954 A2
	4	5225294	FITTING MF 3/4X3/8 OT
	5	7451501	BALL COCK FF 1/4"G
	6	5495005	GASKET Ø18X13,5X2
	7	5301501TR	UNION ELBOW 1/4"G X 3/8"G OT
	8	5492011	GASKET D15X3 ASBESTOS FREE
	9	5221819	CAP NUT 3/8"G
	10	5226405TP	PLUG 1/4"G ES.16 H13 OT
	11	5221823	NUT M20x1,25
	12	5999906	WASHER D20 X 30
	13	5302501	MULTIPLE FITTING 5 WAY OT
	14	5471002	FILTER D13.5 H11 AISI 304
	15	5302061	FITTING MF 3/8X1/4 OT
	16	5221821	NUT 1/4"G H5 OT
	17	5965164	ASSEMBLY SURPRESSION VALVE 12BAR
	18	5194549	HOSE D8X5 L=350 SILICONE 1GR
	18	5194550	HOSE Ø 8x5 SILICONE L=400 2GR
	18	5194551	HOSE Ø 8x5 SILICONE L=450 3GR
	19	5225201	STRAIGHT FITTING 1/4" X 3/8"G OT
	20	7303503	HOSE D12.7X18.8 3/4FC L=200CM
	21	7200504	FLEXIBLE HOSE 3/8" L=1500 AISI 304
	22	7200507	FLEXIBLE HOSE 3/8"FFC L=600MM
	23	7730506	PUMP 100 L/H PA104X 1-2GR
	23	7730507	PUMP 200 L/H 3-4GR
	24	5302012	STRAIGHT FITTING 3/8"G X 3/8"NPT OT
	25	7730508	PUMP JOINT KIT
	26	7611508	PUMP CLAMP
	27	7741102	ELECTRIC MOTOR 110V 18MF
	27	7742206	ELECTRIC MOTOR 220/240V 10MF
	28	7470601	VIBRATION-DAMPING D25X10
	29	7805004	PLAIN WASHER D6 UNI 6592 FEZN
	30	7821403	NUT M6 UNI 5587 OT
	31	5302071	RUBBER-HOLDER FITTING M12x1 OT
	32	7496052	OR GASKET 114
	33	5471506.01	CALIBRATED SPRING D1.1 H32 AISI 302
	34	5224619TP	GASKET-HOLDER
	35	5493001	GASKET D8 X 4 EPT 70SH
	36	5283048	SURPRESSION VALVE BODY
	37	7496018	OR GASKET 105 VITON
38	5224615TP	GASKET-HOLDER	
39	5471505	CALIBRATED SPRING D0.45 H22 AISI 302	
40	5302018	STRAIGHT FITTING M12 X M13 H26.5 OT	
41	7635423	2-CONTACT 30A 120V RELAY	
41	7635422	RELAY 30A 240V	

**TABLE 3**  
**Mod. DE - PM**





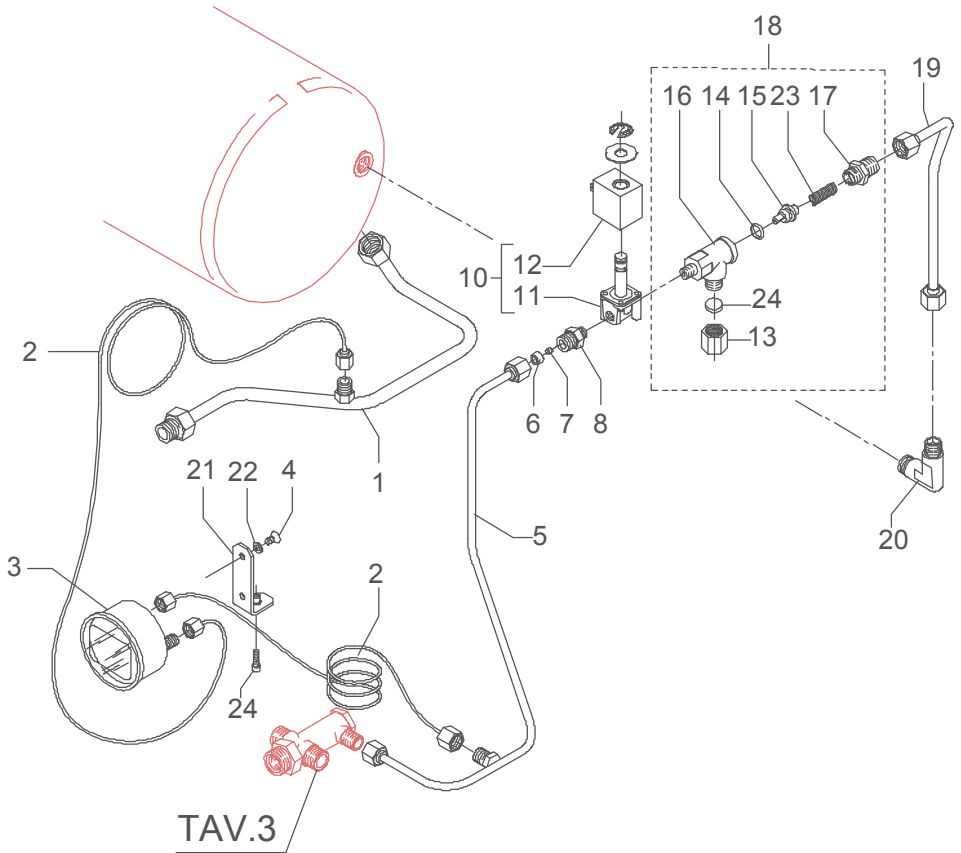
**TABLE 3**  
**Mod. DE - PM**





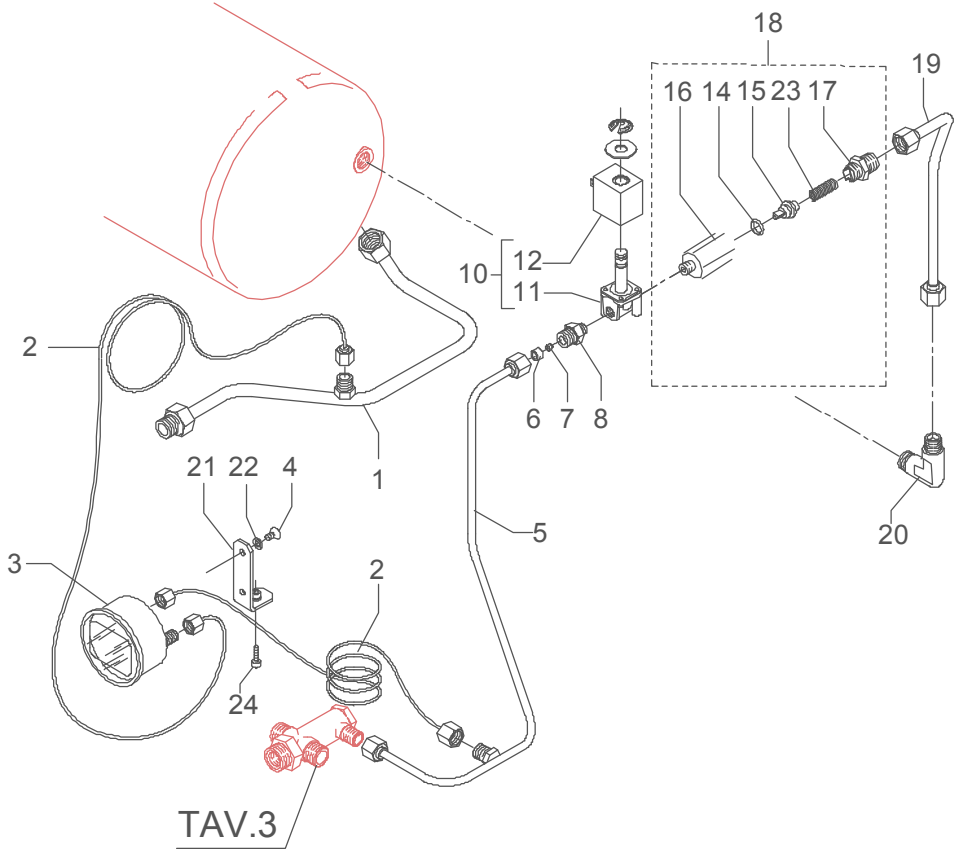


**TABLE 4 (up to 31.08.10)**  
**Mod. DE - PM**



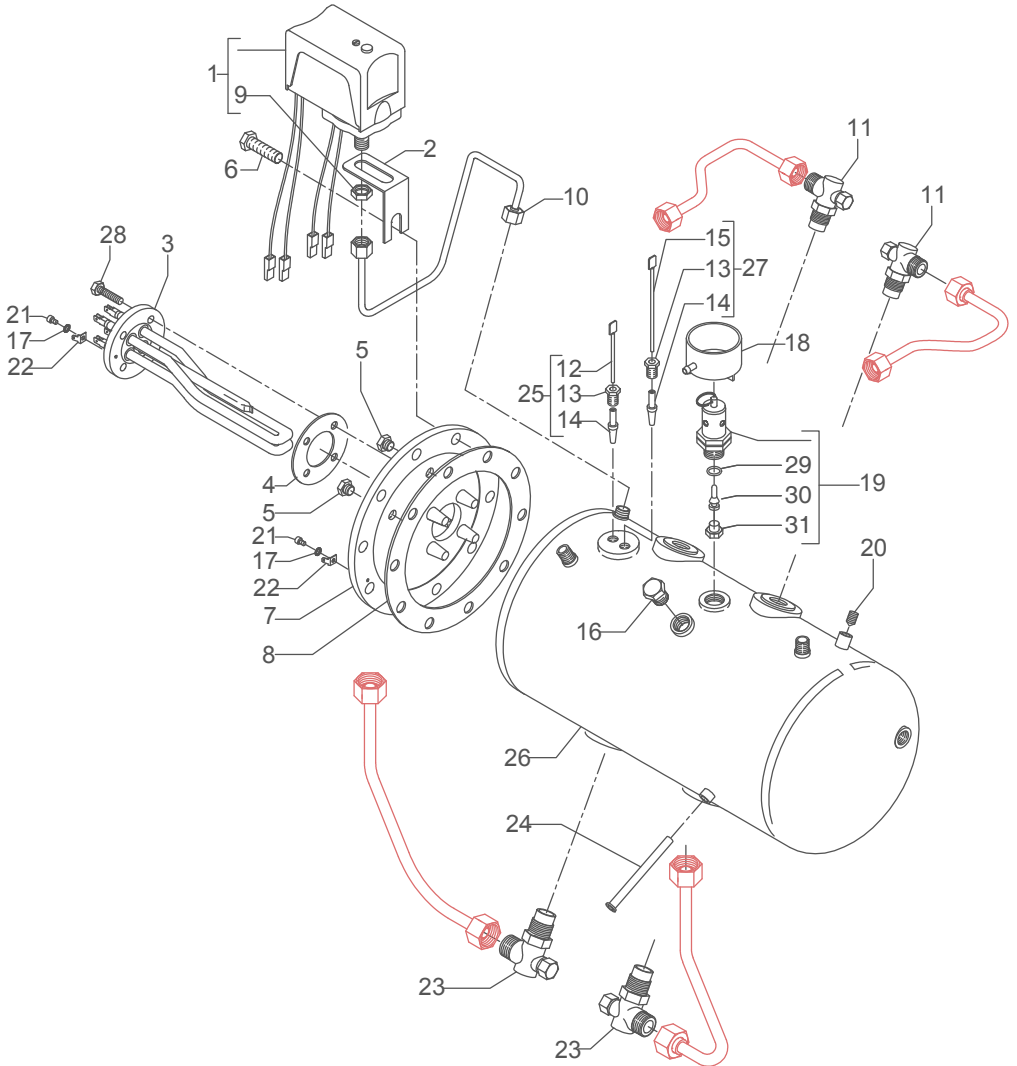


**TABLE 4 (from 01.09.10)**  
**Mod. DE - PM**



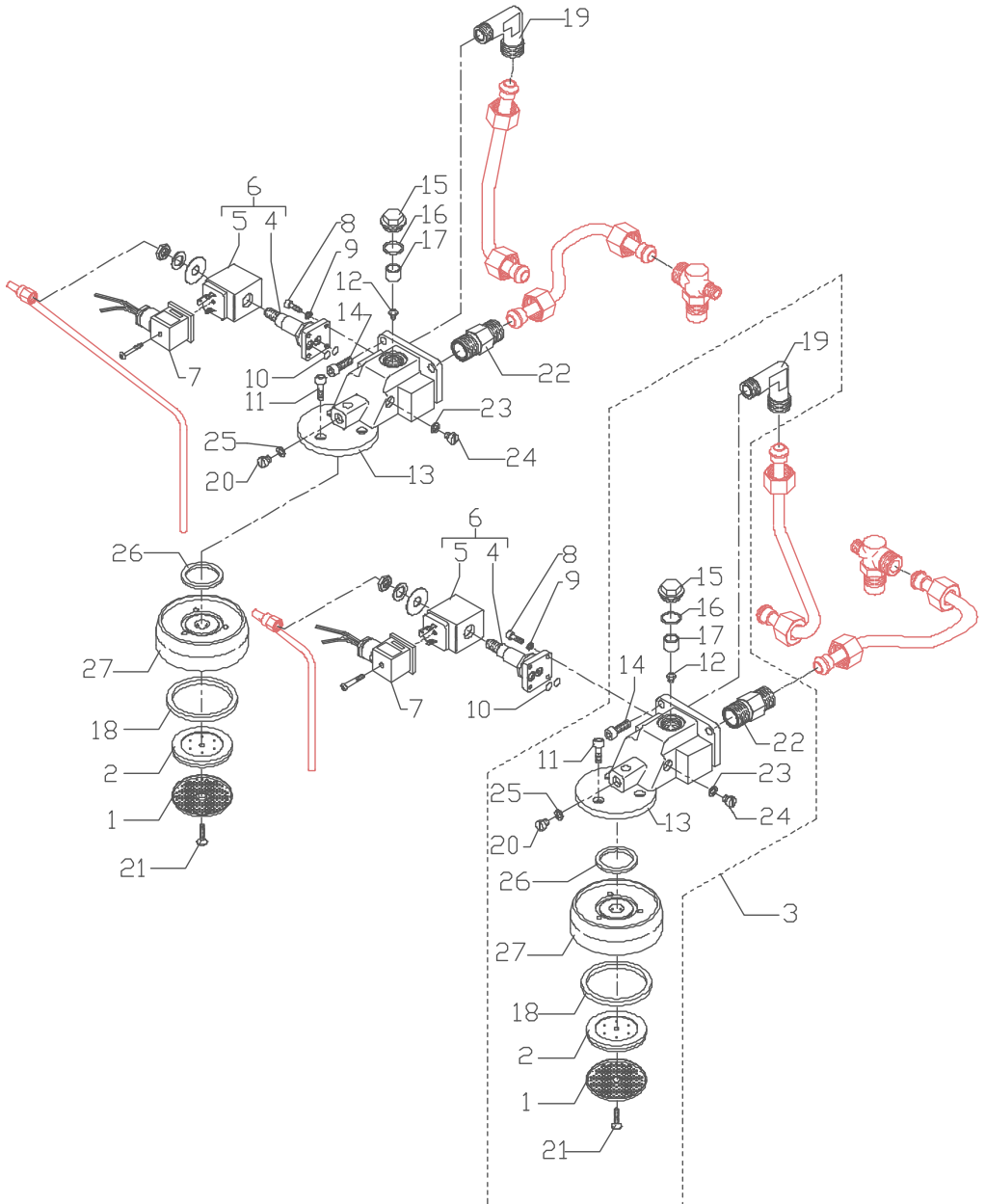
	<b>POS</b>	<b>CODE</b>	<b>DESCRIPTION</b>
<b>TABLE 5 Mod. DE - PM</b>	1	7433001	PRESSOSTAT SIRAI P302/6 (2-3-4GR 110V - 3-4GR 220/400V)
	1	7433024	PRESSOSTAT SIRAI P303T01 (1GR 110V - 1-2GR 220/400V)
	2	5037830LW	PRESSOSTAT SQUARE
	3	5722249	HEATING ELEMENT 1GR 1400W 110/120V
	3	5722241	HEATING ELEMENT 1GR 1850/2200W 220/240V
	3	5721131	HEATING ELEMENT 2GR 2600W 110/120V
	3	5722242	HEATING ELEMENT 2GR 2750/3300W 220/240V
	3	5722248	HEATING ELEMENT 2GR 220V 4500W
	3	5721132	HEATING ELEMENT 3-4GR 3000W 110/120V
	3	5722243	HEATING ELEMENT 3-4GR 4600/5450W 220/240V
	4	5492006	GASKET D76 X 39 X 2 ASBESTOS FREE
	5	5226404	PLUG M10 H12 OT
	6	7816424	SCREW TE M10X18 DIN 933 A2
	7	5283502R	BOILER FLANDE D205 OT
	8	5492005	GASKET D203 X 151 X 2 ASBESTOS FREE
	9	5221821	NUT 1/4"G H5 OT
	10	5162001LL	COMPLETE HOSE FOR PRESSOSTAT
	11	5300503.01	FITTING 1/2"NPT X 1/2"G
	12	5265804	LEVEL PROBE 1GR D3 X 110 X 6.3
	12	5265807	LEVEL PROBE 2-3-4GR. D3X90X6.3 AISI 304
	13	5225205	STRAIGHT FITTING M10 OT
	14	5192001	PROBE SHEATH D8 X 45 HOLE D3 PTFE
	15	5265811	LEVEL PROBE D3X160X4.8
	16	5226403	PLUG 3/8"G
	17	7814001	WASHER Ø 4
	18	5963047	COMPLETE CUP
	19	5965015.03	ASSEMBLY SAFETY VALVE 1.5 BAR
	20	7823001	DOWEL EI 1/8"GX8 UNI5923 OT OT
	21	7826212	SCREW TCI M4X6 UNI 6107 OT
	22	7615003	FASTON 45° HOLE D4.3
	23	5300512.01	FITTING 1/2" X 1/2"
24	5192307LL	WATER SAUCTION HOSE D6X1 L=80	
25	5973011	ASSEMBLY MAXIMUM LEVE PROBE 1GR	
25	5973012	ASSEMBLY MAXIMUM LEVE PROBE 2-3-4GR.	
26	5320515.01BL	BOILER 1 GR.	
26	5321015.01BL	BOILER 2GR.	
26	5321515.01BL	BOILER 3GR.	
27	5973013	ASSEMBLY MINIMUM LEVE PROBE 1-2-3-4GR.	
28	7816423	SCREW TE M8X18 DIN933 A2	
29	7496090	GASKET	
30	5264017	STUD	
31	5226417	PLUG	

**TABLE 5**  
**Mod. DE - PM**





**TABLE 6**  
**Mod. DE - PM**

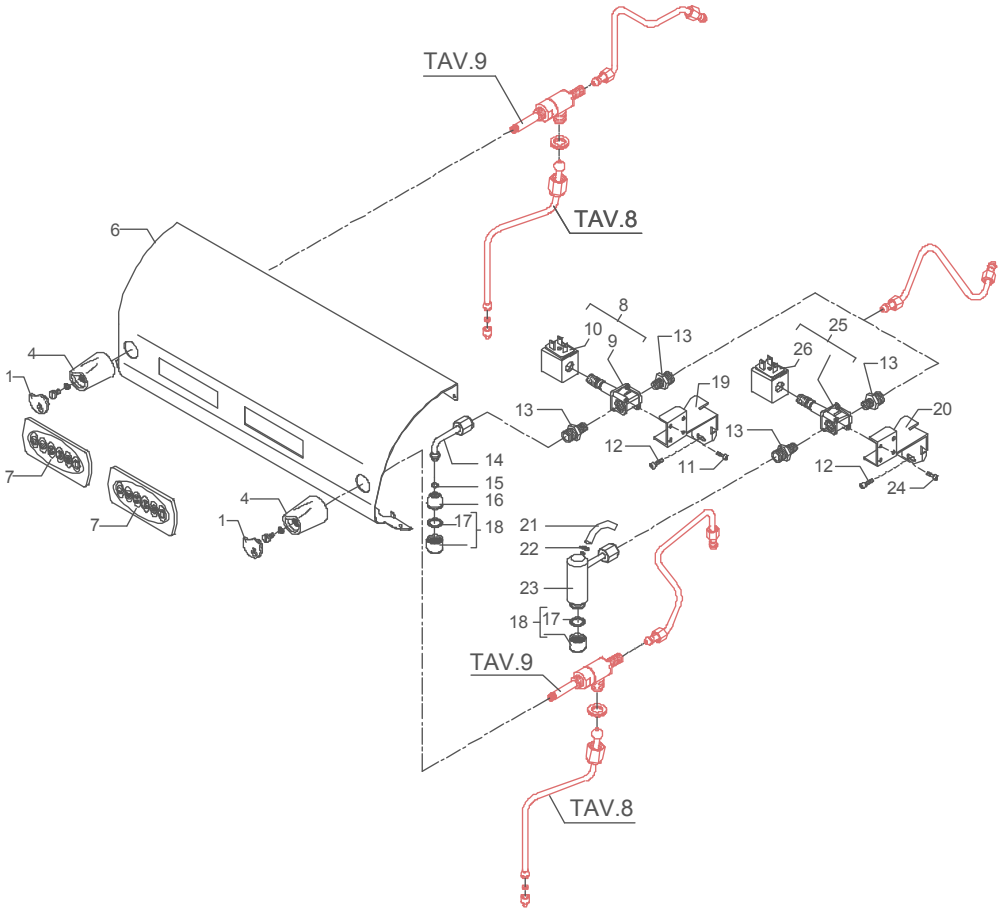




<b>POS</b>	<b>CODE</b>	<b>DESCRIPTION</b>
1	5373926	STEAM PLUG
4	5371810	KNOB
6	5094810LW	UPPER WORKING FRONTAL PANEL DE 1GR
6	5094811LW	UPPER WORKING FRONTAL PANEL DE 2GR
6	5094812LW	UPPER WORKING FRONTAL PANEL DE 3GR
7	7665526	KEYBOARD
8	7701114	SOLENOID VALVE 2 WAY 110V PARKER
8	7702312	SOLENOID VALVE 2 WAY 220/240V PARKER
9	7703011	SOLENOID VALVE WITHOUT COIL PARKER
10	7630324	SOLENOID VALVE COIL 110V PARKER
10	7630325	SOLENOID VALVE COIL 220/240V PARKER
11	7816017	SCREW TCEI M4X6
12	7816002	SCREW TCEI M4X12
13	5302014	FITTING M13X1/8"G ES.15 H23.5 OT
14	5163267LL	ASSEMBLY WATER HOSE
15	7496003	OR GASKET 108 VITON
16	5226610TW	WATER HOSE TERMINAL D23.5X18 OT CHROMED
17	5493003	GASKET D20.5X15 H1.5 NBR 70SH
18	5226601TW	WATER HOSE TERMINAL M22 CHROMED
19	5038423LW	SUPPORT
20	5038432LW	SUPPORT
21	5194595	HOSE Ø15X10 L=500MM SILICONE (1-2GR)
21	5194603	HOSE Ø15X10 L=750MM SILICONE (3-4GR)
22	7611502	CLAMP D14
23	5329015DC	MIXER BODY
24	7826208	SCREW TCI M3X7 UNI 6107 OT
25	7701111	SOLENOID VALVE 2 WAY 115V PARKER
25	7702310	SOLENOID VALVE 2 WAY 230V PARKER
25	7702409	SOLENOID VALVE 2 WAY 240V PARKER
26	7630327	SOLENOID VALVE COIL 110V PARKER
26	7630328	SOLENOID VALVE COIL 220/230V PARKER
26	7630329	SOLENOID VALVE COIL 240V PARKER

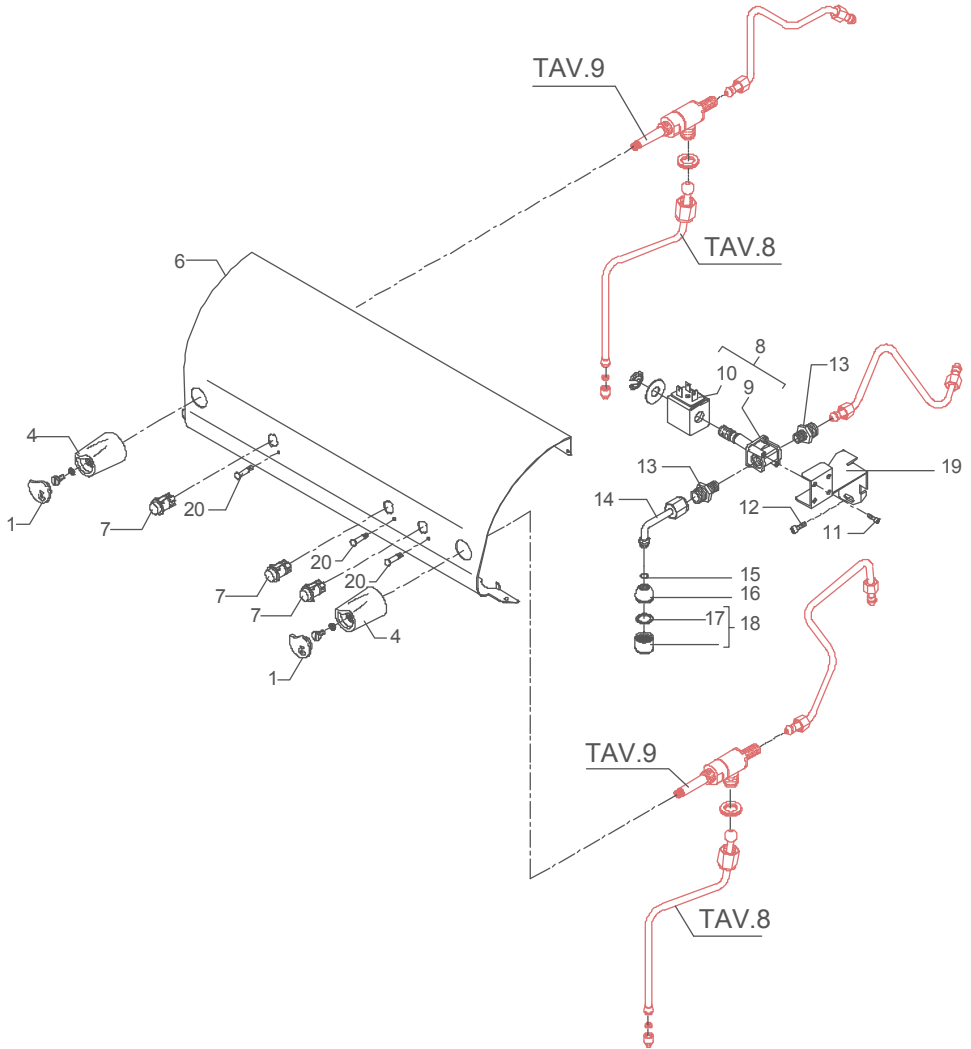


**TABLE 7**  
**Mod. DE**



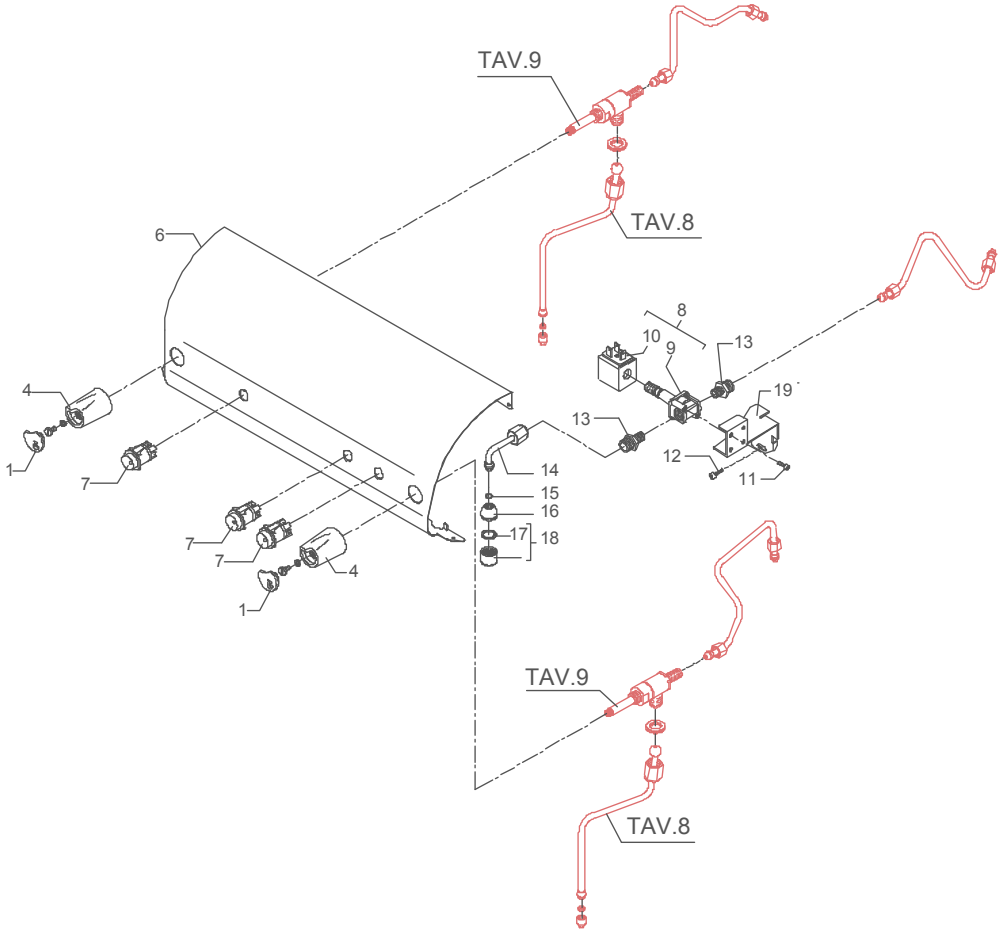


**TABLE 7A (up to 29.01.12)**  
**Mod. PM**



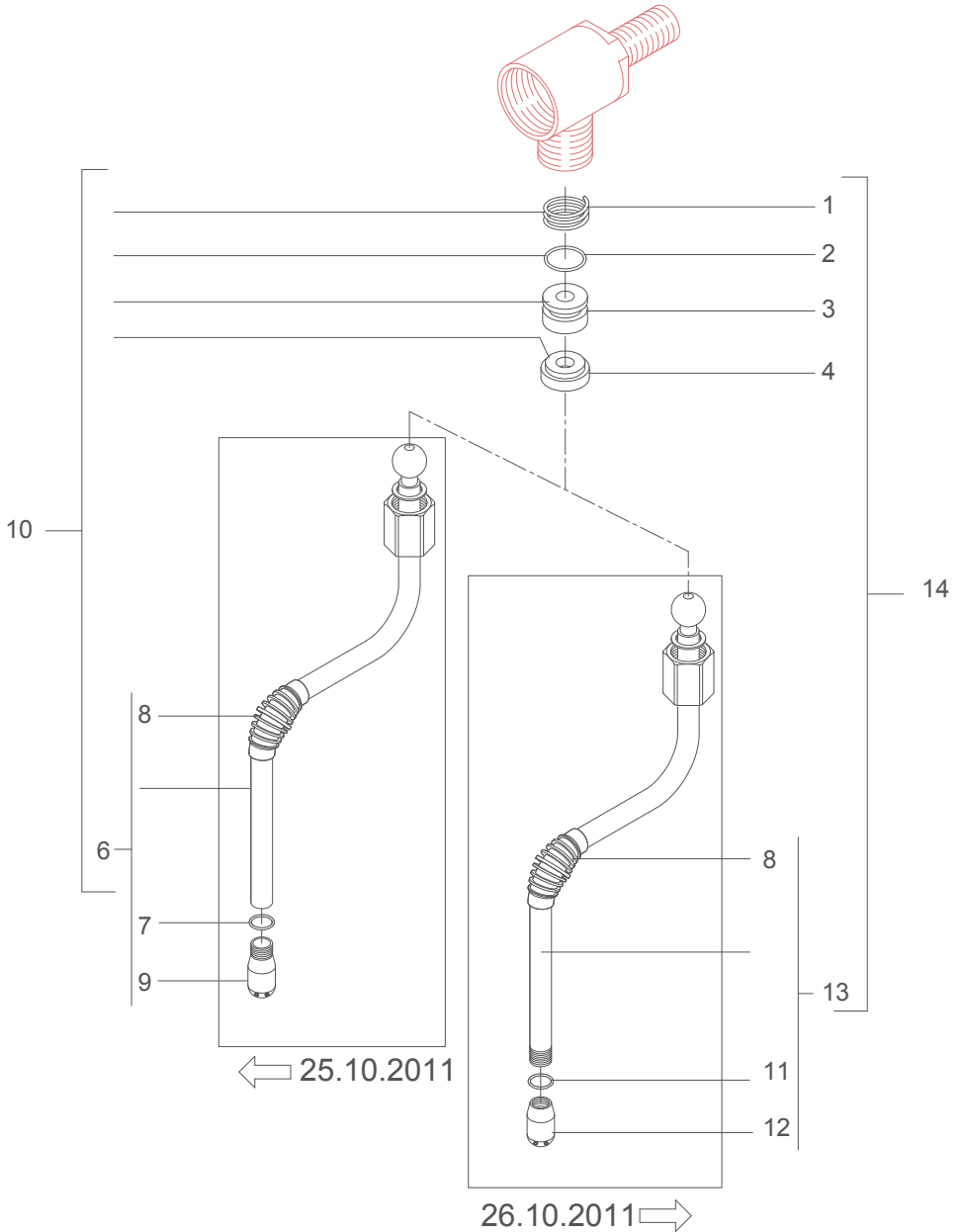


**TABLE 7A (from 30.01.12)**  
**Mod. PM**





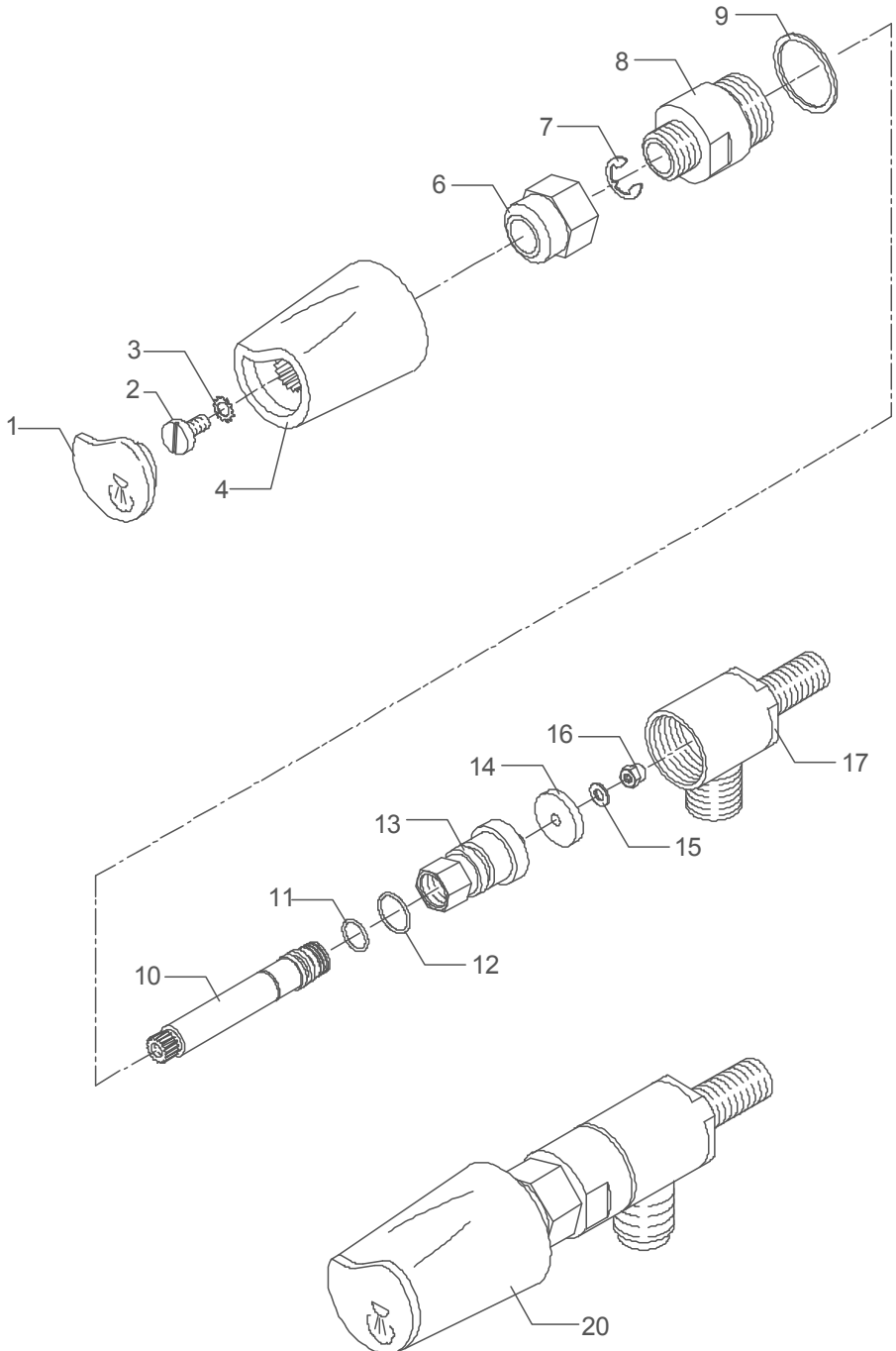
**TABLE 8**  
**Mod. DE - PM**





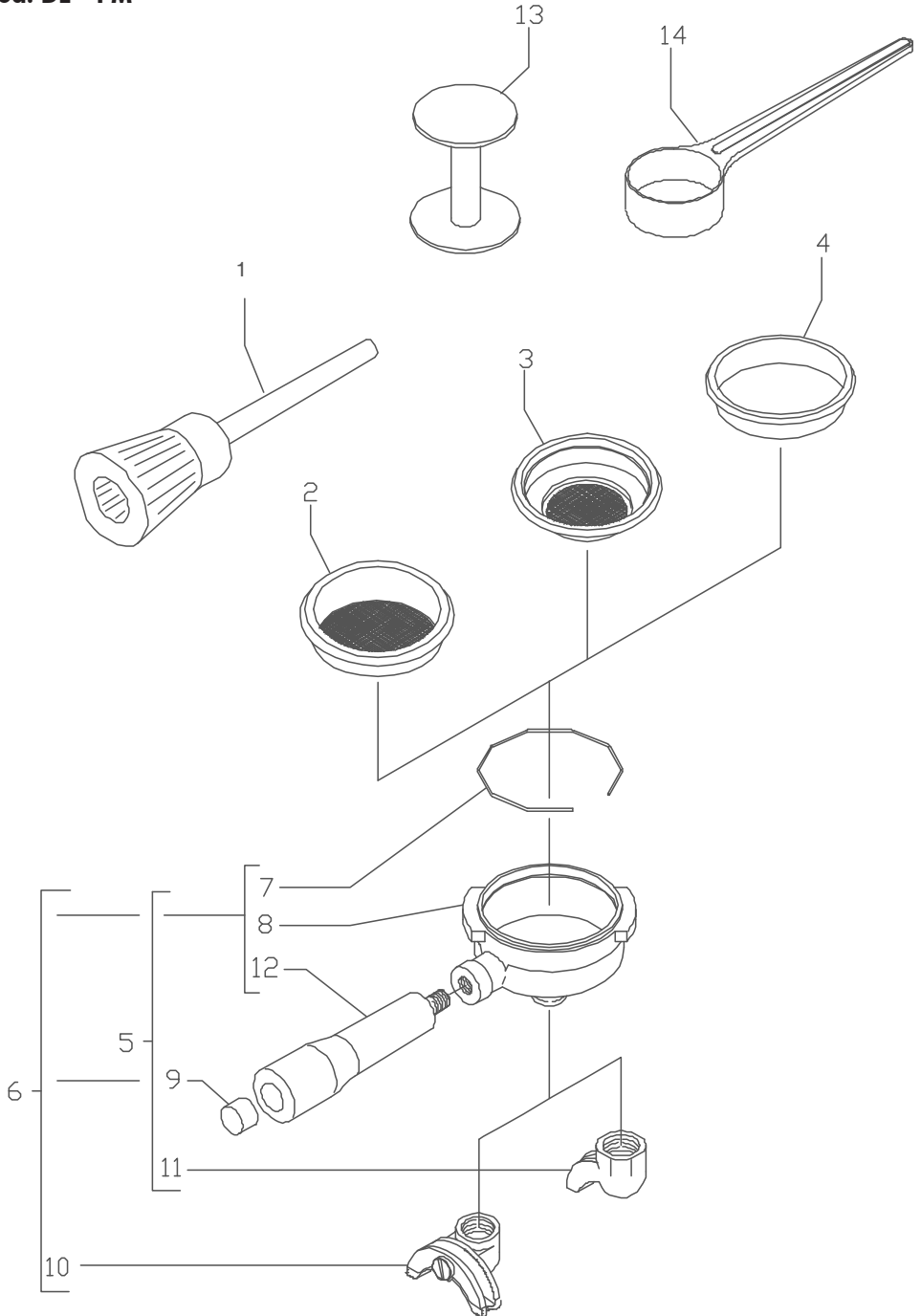


**TABLE 9**  
**Mod. DE - PM**



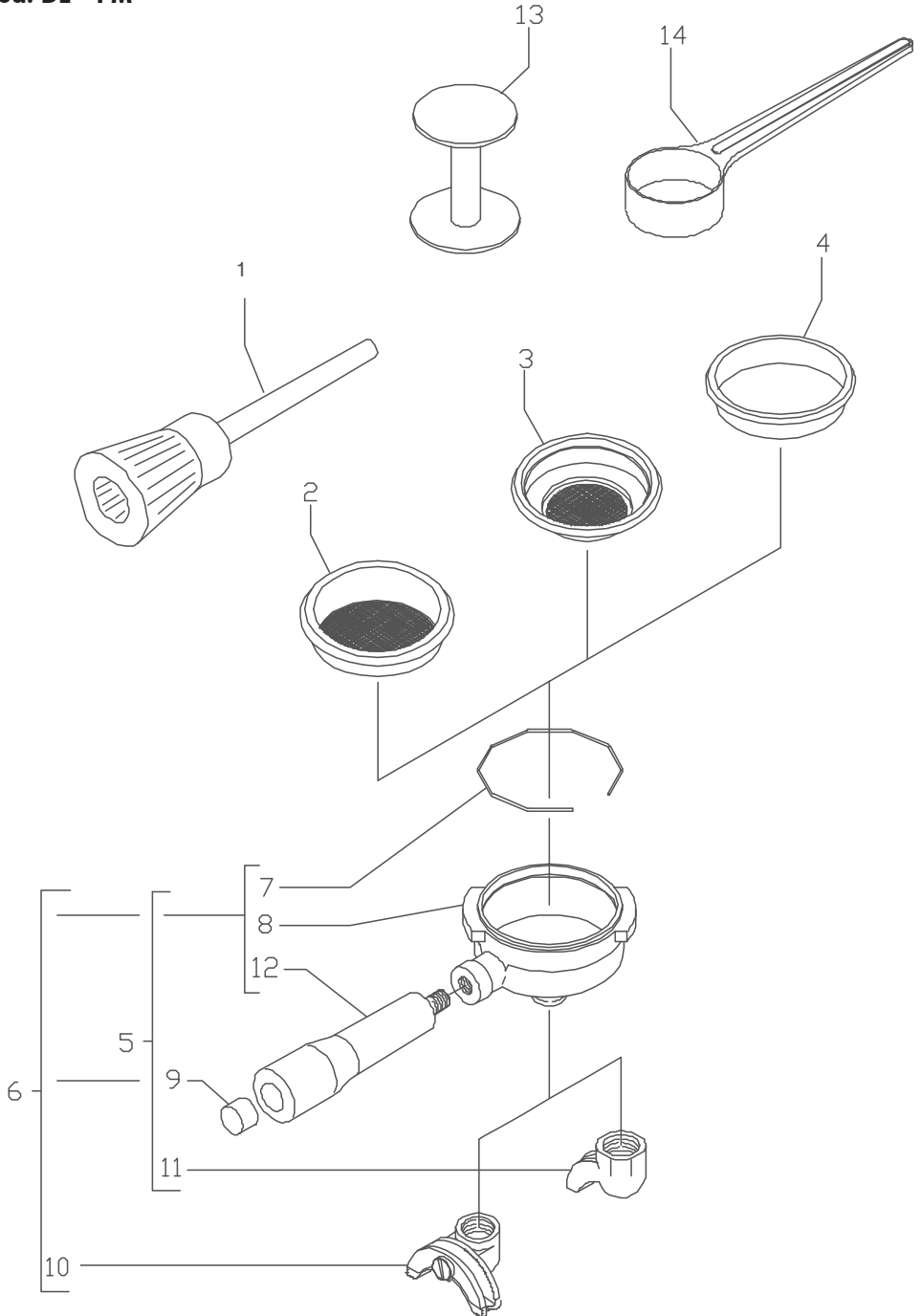


**TABLE 10 (up to 31.03.10)**  
**Mod. DE - PM**



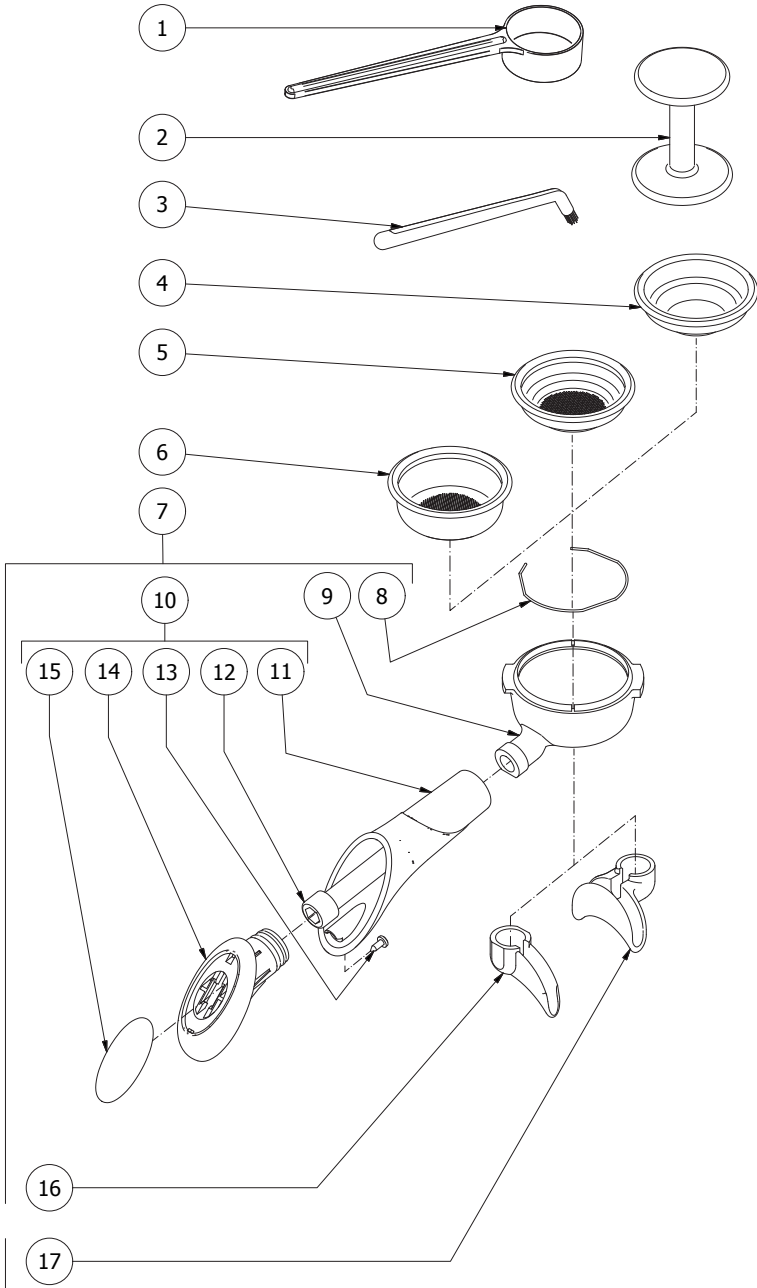


**TABLE 10 (up to 24.10.11)**  
**Mod. DE - PM**





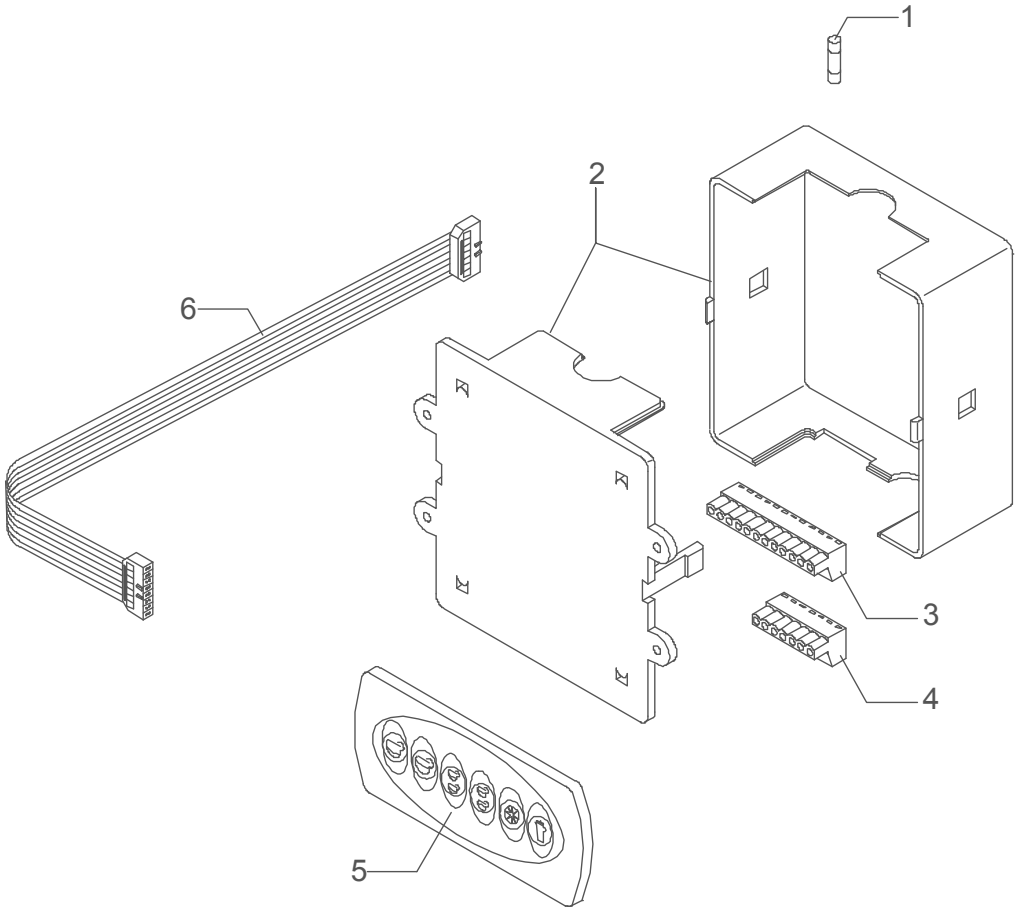
**TABLE 10 (from 24.10.11)**  
**Mod. DE - PM**





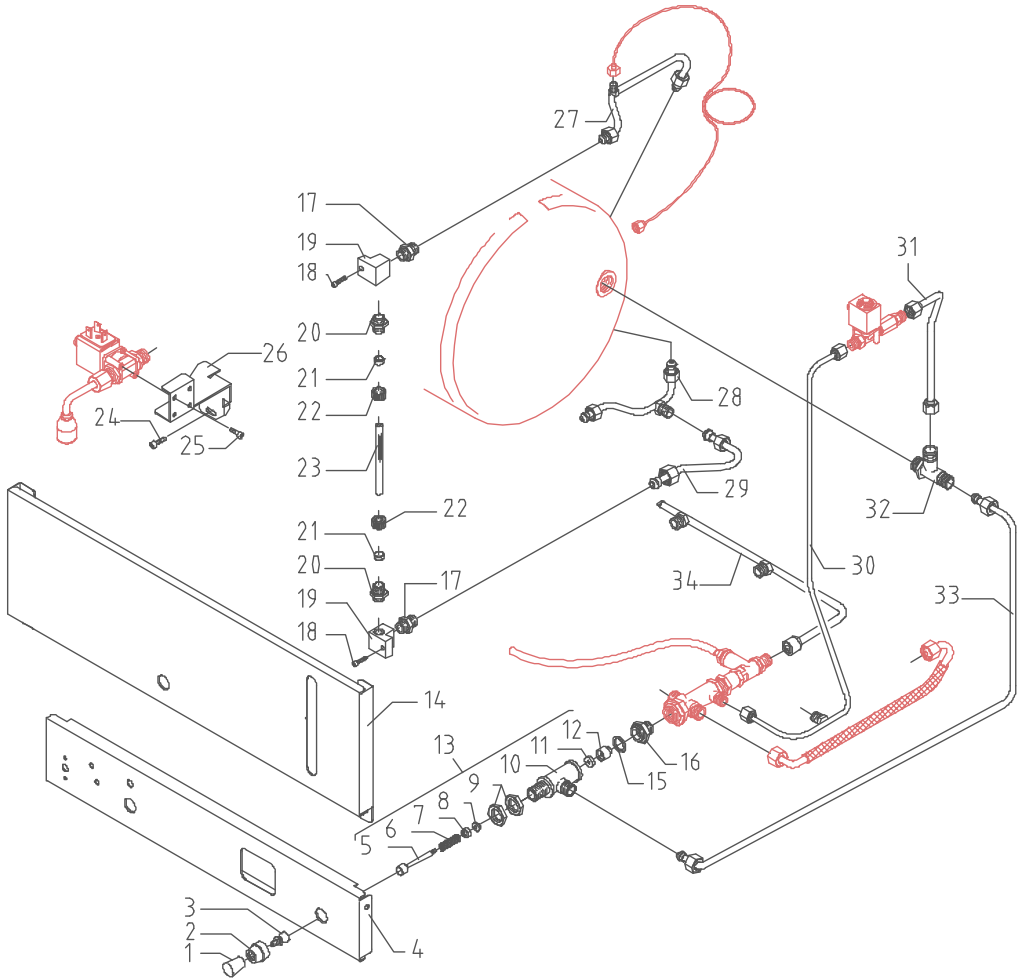


**TABLE 11**  
**Mod. DE**



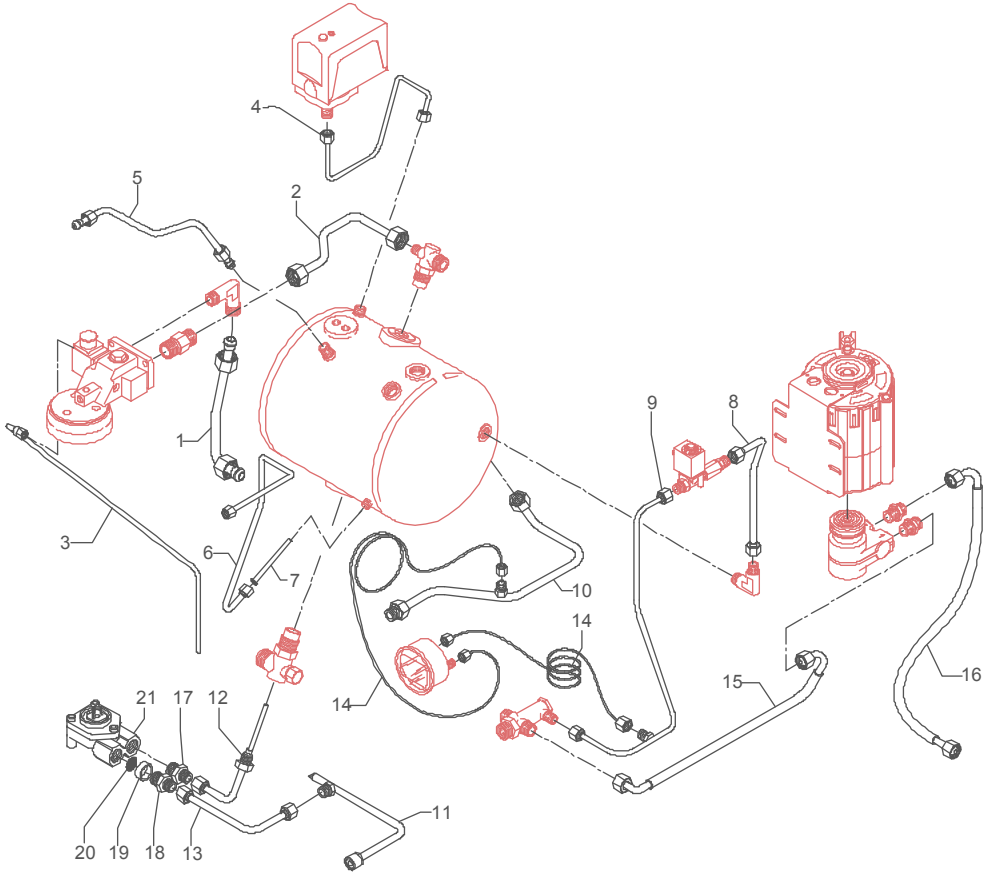


**TABLE 12**  
**Mod. PM**



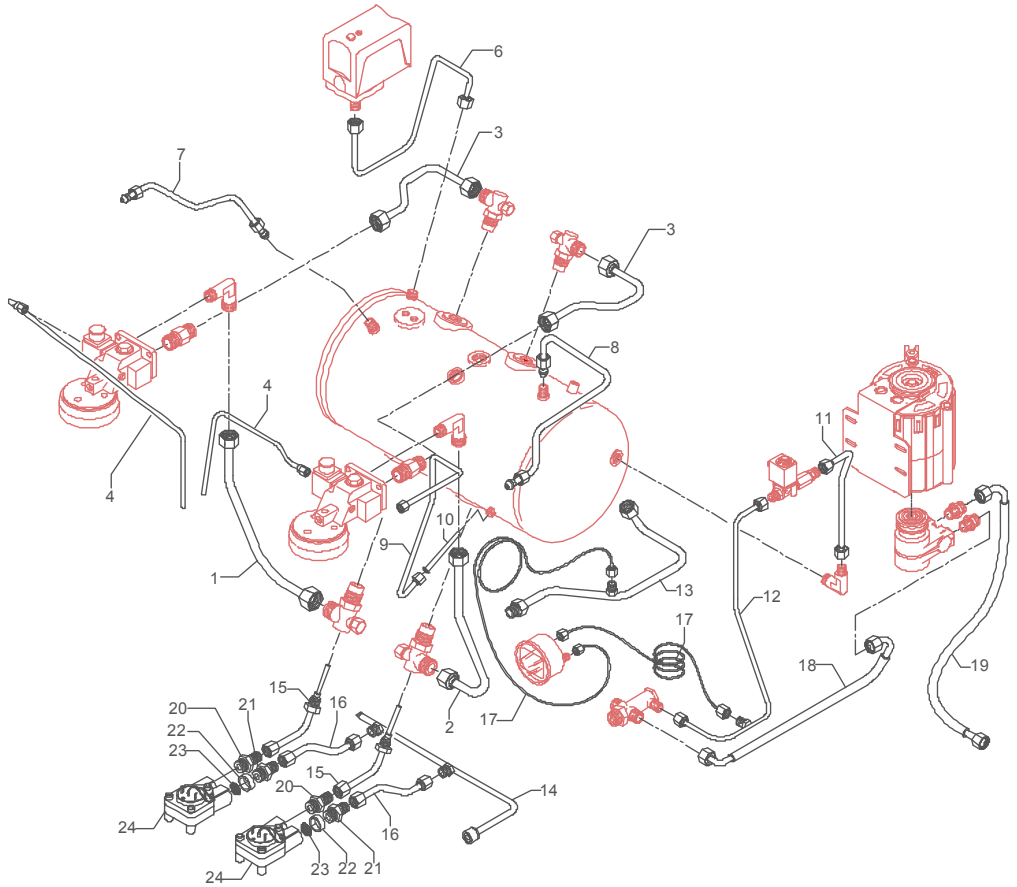


**Hose series 1GR  
Mod. DE**





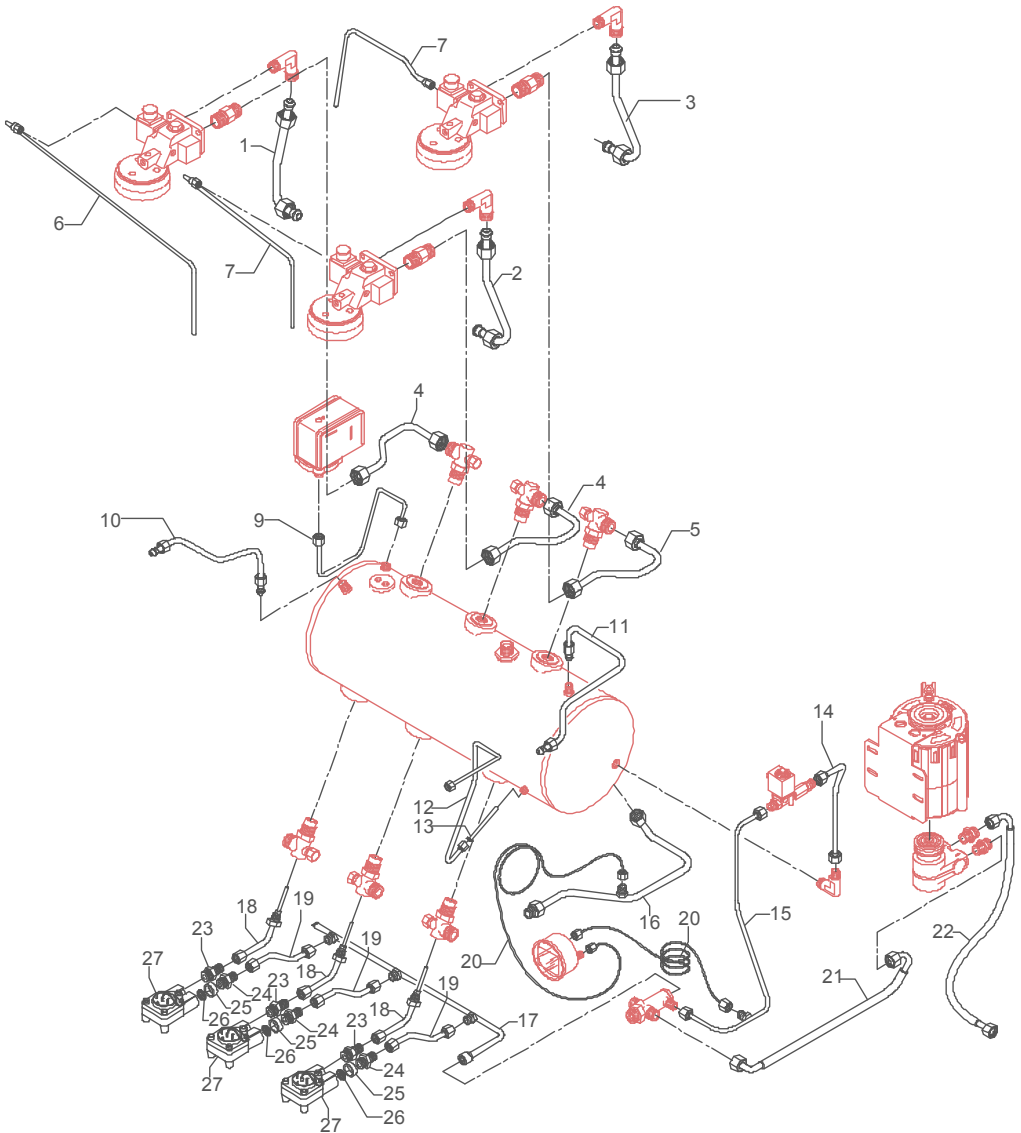
Hose series 2GR  
Mod. DE





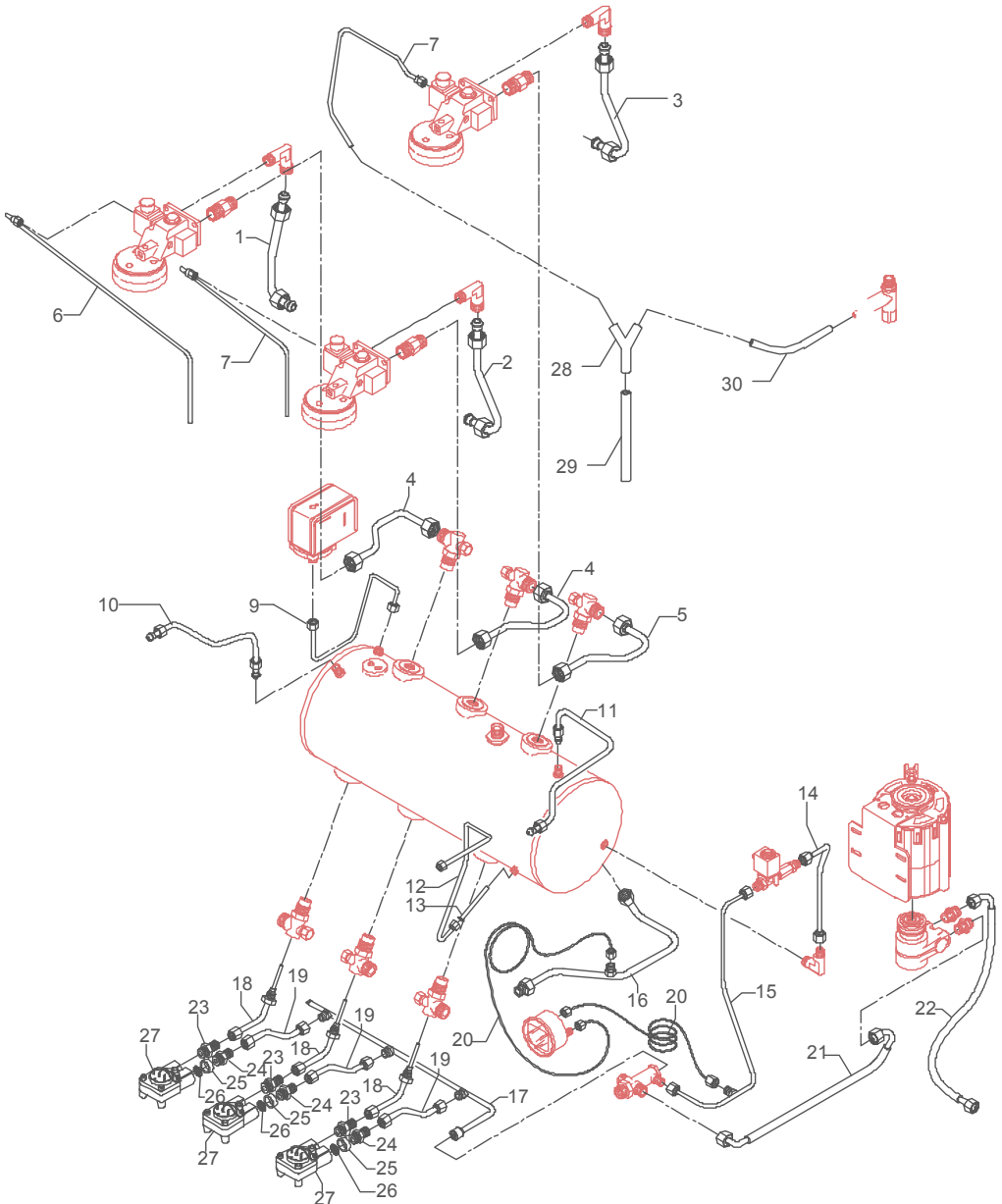


**Hose series 3GR (up to 31.12.11)**  
**Mod. DE**



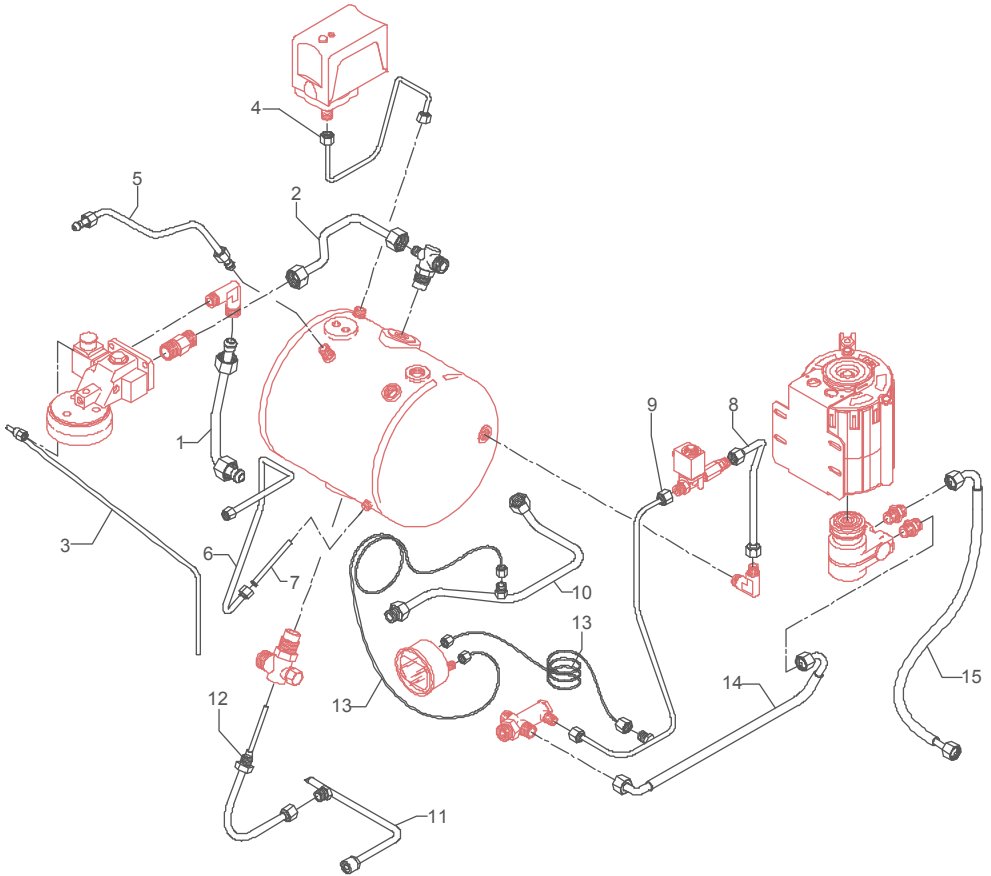


Hose series 3GR (from 01.01.12)  
Mod. DE



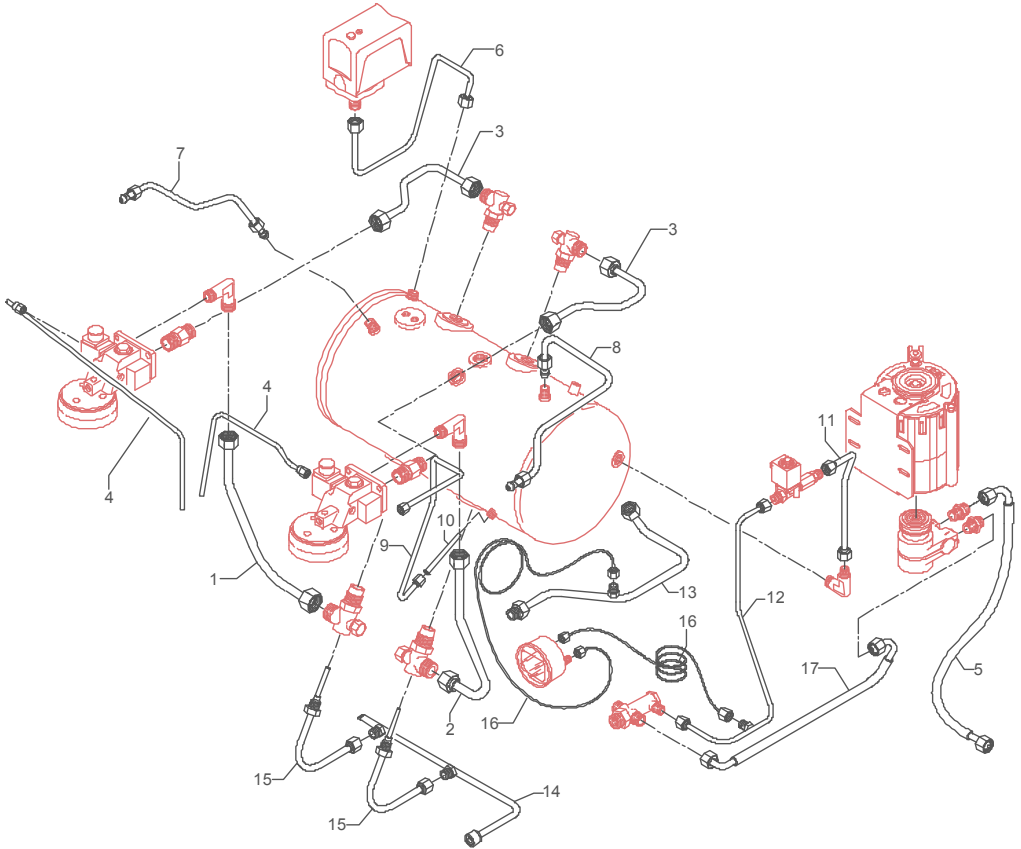


**Hose series 1GR  
Mod. PM**





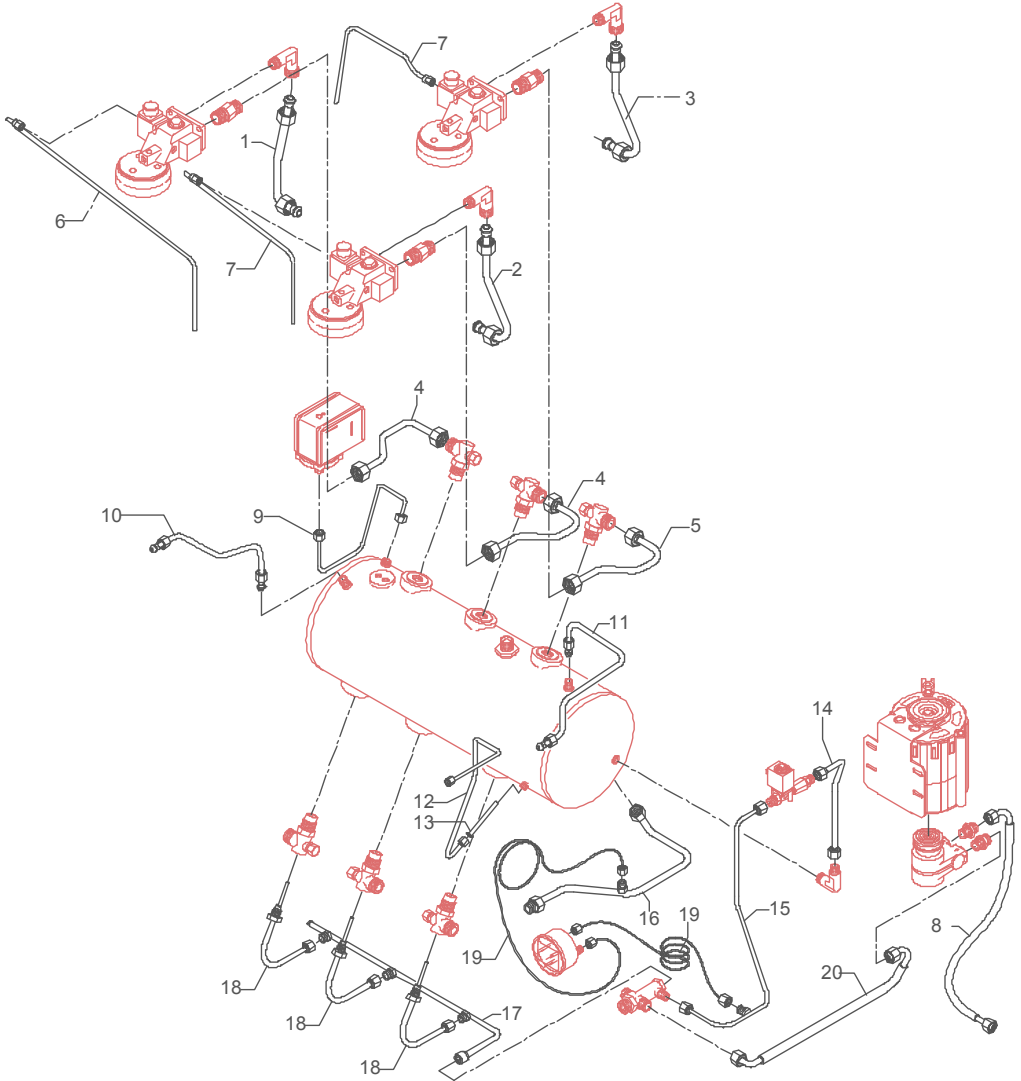
Hose series 2GR  
Mod. PM





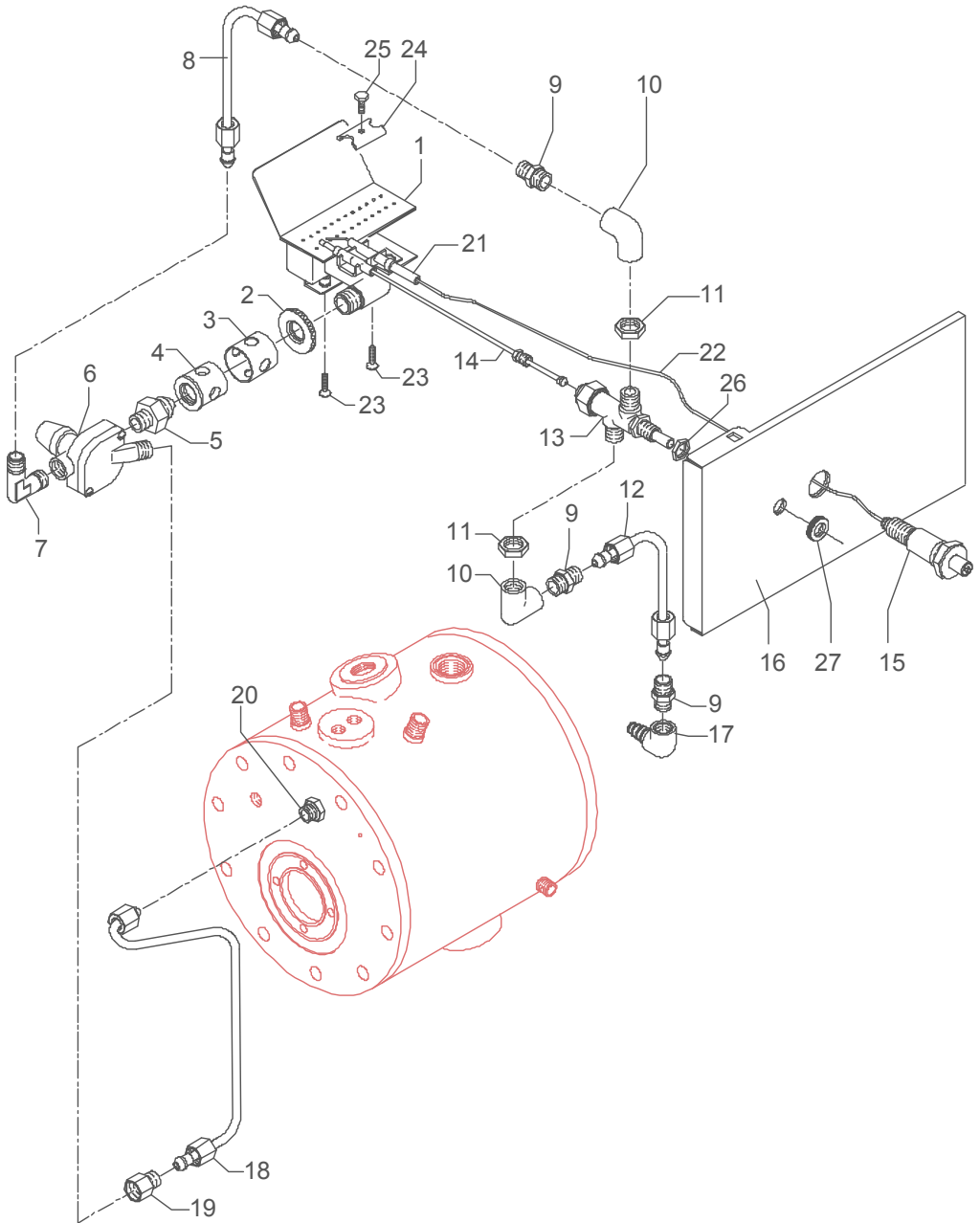


**Hose series 3GR**  
**Mod. PM**



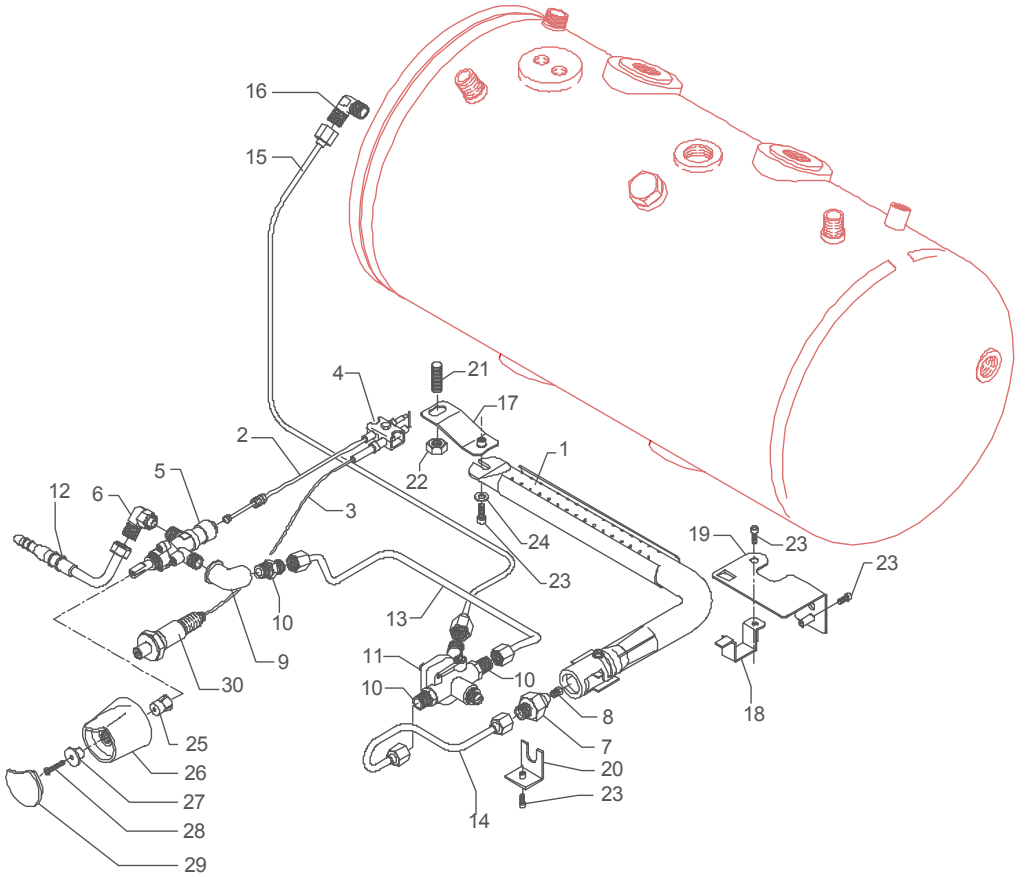


Gas 1GR  
Mod. PM



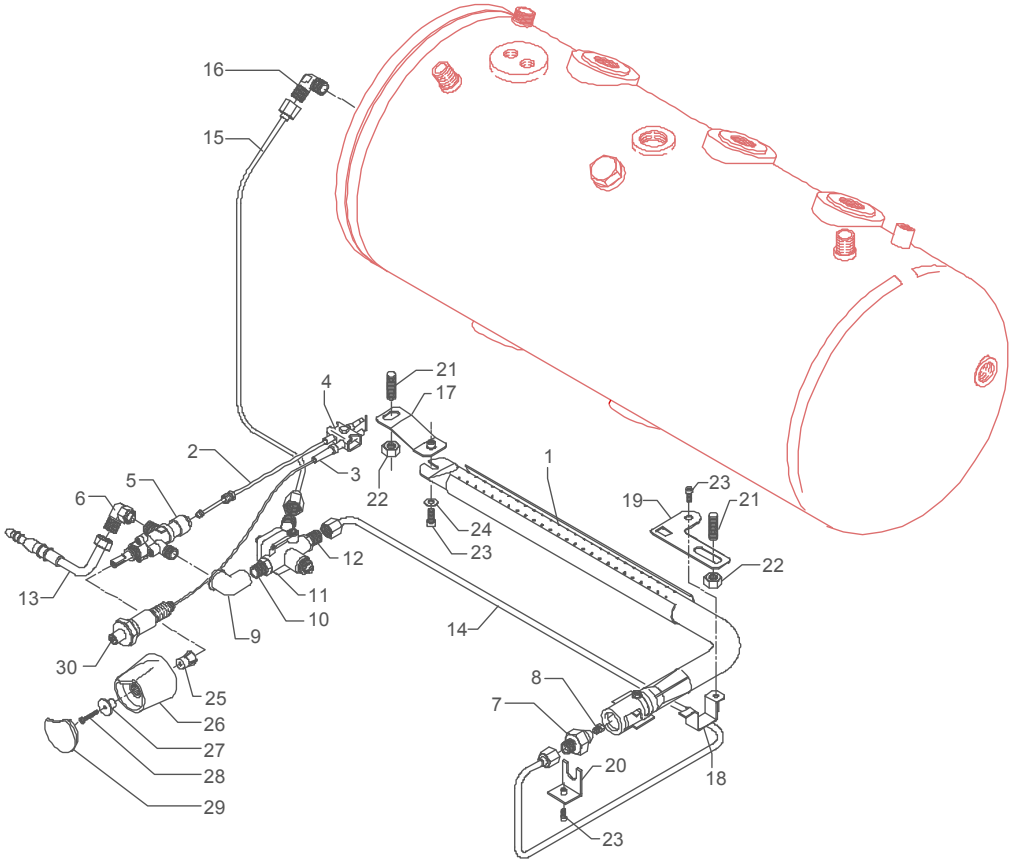


**Gas 2GR  
Mod. PM**





**Gas 3GR  
Mod. PM**





**BEZZERA**

**Dal 1901**

G.BEZZERA

MACCHINE PER CAFFE' ESPRESSO

Via Luigi Bezzera,1

20088 Rosate - Milano - Italy

Tel. ++39 02 90848102 r.a. - Telefax ++39 02 90870287

Web: [www.g.bezzera.it](http://www.g.bezzera.it)

e-mail: [commerciale@bezzera.it](mailto:commerciale@bezzera.it)